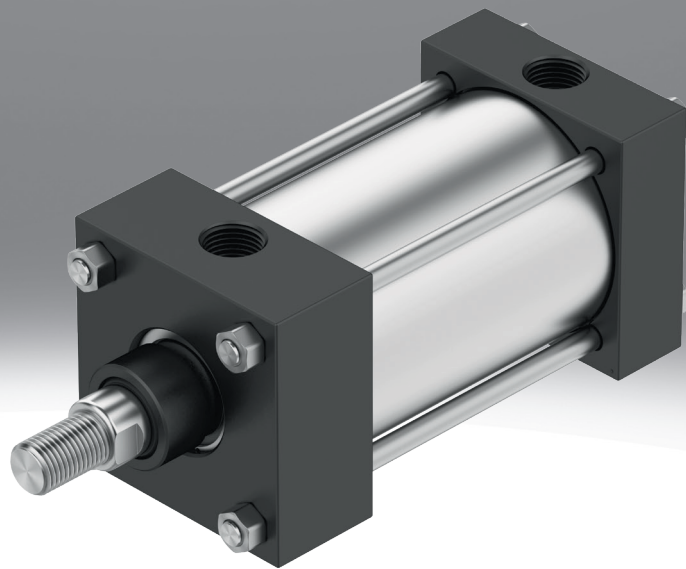


Standards-based cylinder, inch DSNB

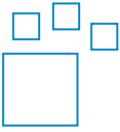
FESTO



Characteristics

Ordering data - modular system

[Link](#) [dsnb](#)



Configurable product

This product and all its product options can be ordered online via the configurator.

Lateral force

[R] Increased

- The piston rod can absorb a higher lateral force

Piston rod type

[] At one end



- The piston rod can be used for connection at one end of the cylinder

[T] Through piston rod



- The piston rod can be used for connection at both ends of the cylinder
- Identical forces in the forward and return stroke

Piston rod thread type

[] Male thread



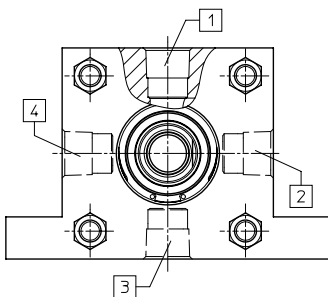
[F] Female thread



[X] Bolt with male thread



Compressed air connection



1 = [] Lateral

2 = [P90] rotated 90°

3 = [P180] rotated 180°

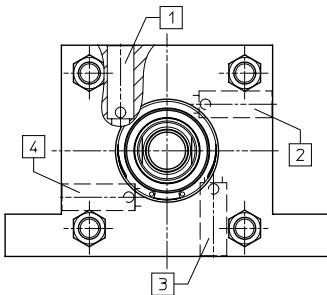
4 = [P270] rotated 270°

Characteristics

Cushioning

- [N] No cushioning
- [P] Elastic cushioning rings/plates at both ends
- [PP] Pneumatic cushioning at both ends, not adjustable
- [PP2] Pneumatic cushioning at the front, non-adjustable
- [PP3] Pneumatic cushioning at the rear, not adjustable
- [PPV] Pneumatic cushioning, adjustable at both ends
- [PPV1] Pneumatic cushioning at the front, adjustable
- [PPV2] Pneumatic cushioning at the rear, adjustable

Position of the adjusting screw



- 1 = [R1] rotated 0°
 2 = [R2] rotated 90°
 3 = [R3] rotated 180°
 4 = [R4] rotated 270°

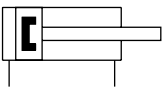
Noise reduction

[SL] Both sides

- Reduces noise generation

Position sensing

[A] For proximity sensor



Standard

[N5] In accordance with ANSI/NFPA

- Conforms to standard NFPA/T3.6.7

Temperature range

[T4] 0 ... +150°C

- For use in the temperature range 0 ... +150 °C

Scraper variant

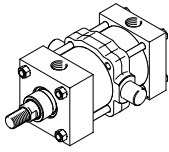
[A6] Metal scraper

- Special seals for a longer service life, e.g. for the use of cooling lubricants

Characteristics

Trunnion flange mounting position, positive locking

[...MT4] 3.063 ... 102.219"



Piston rod extension

[...NE] 0.0625 ... 6.1250" (increments of 0.0625)

- The piston rod can be extended in steps of 0.0625 inch

Piston rod thread extension

[...NL] 0.0625 ... 4.8750" (increments of 0.0625)

- The piston rod thread can be extended in steps of 0.0625 inch

Piston rod thread

[U716] 7/16-20 UNF

[U12] 1/2-20 UNF

[U34] 3/4-16 UNF

[U78] 7/8-14 UNF

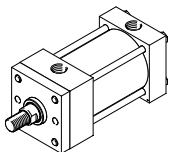
[U1S] 1-14 UNS

[U114] 1 1/4-12 UNF

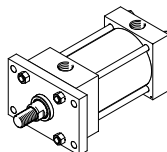
[U112] 1 1/2-12 UNF

Type of mounting

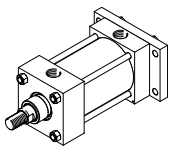
[ME] Direct mounting, female thread



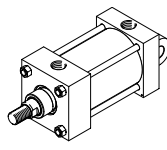
[MF1] Flange plate, bearing cap



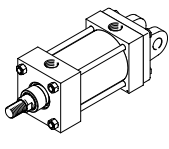
[MF2] Flange plate end cap



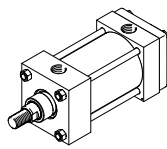
[MP1] Swivel bearing



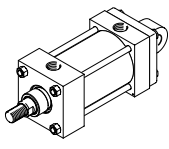
[MP2] Swivel mounting



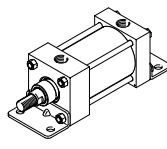
[MP3] Swivelling rod eye mounting in the end cap



[MP4] Swivelling rod eye mounting

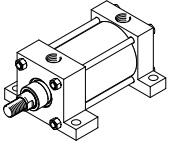


[MS1] Foot mounting

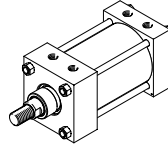


Characteristics

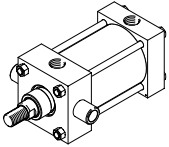
[MS2] Foot mounting at the side



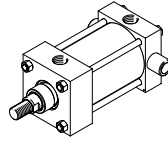
[MS4] Direct mounting



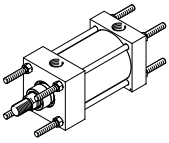
[MT1] Swivel mounting on the bearing cap



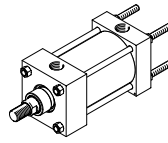
[MT2] Swivel mounting on the end cap



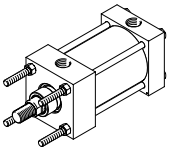
[MX1] Threaded rods at both ends



[MX2] Threaded rod, end cap



[MX3] Threaded rod, bearing cap



Type code

001	Series	
DSNB	Standards-based cylinder	

002	System of units	
N	Imperial	

003	Lateral force	
	Standard	
R	Increased	

004	Running characteristics	
	Standard	
L	Low friction	

005	Piston diameter [“]	
1 1/2”	1 1/2”	
2”	2”	
2 1/2”	2 1/2”	
3 1/4”	3 1/4”	
4”	4”	
5”	5”	
6”	6”	

006	Stroke [“]	
...”	0.0625 ... 98”	

007	Function	
	Double-acting	

008	Piston rod type	
	At one end	
T	Through piston rod	

009	Piston rod thread type	
	Male thread	
F	Female thread	
X	Bolt with male thread	

010	Pneumatic connection	
N18	1/8 NPT	
N14	1/4 NPT	
N12	1/2 NPT	
N38	3/8 NPT	
N34	3/4 NPT	

011	Compressed air connection	
	Lateral	
P90	Rotated 90°	
P180	180° rotated	
P270	270° rotated	

012	Cushioning	
N	No cushioning	
P	Elastic cushioning rings/plates on both sides	
PP	Pneumatic cushioning at both ends, non-adjustable	
PP2	Pneumatic cushioning at the front, non-adjustable	
PP3	Pneumatic cushioning at the rear, non-adjustable	
PPV	Pneumatic cushioning, adjustable at both ends	
PPV1	Pneumatic cushioning at the front, adjustable	
PPV2	Pneumatic cushioning at the rear, adjustable	

013	Position of the adjusting screw	
	Without	
R1	Rotated 0°	
R2	Rotated 90°	
R3	Rotated 180°	
R4	Rotated 270°	

014	Noise reduction	
	Without	
SL	Both sides	

015	Position sensing	
	None	
A	Via proximity sensors	

016	Standard	
N5	In accordance with ANSI/NFPA	

017	Temperature range	
	Standard	
T4	0 ... +150°C	

018	Scraper variant	
	None	
A6	Metal scraper	

019	Trunnion flange mounting position, positive locking	
	None	
...MT4	3.063 ... 102.219”	

020	Piston rod extension	
	None	
...NE	0.0625 ... 6.1250” (increments of 0.0625)	

021	Piston rod thread extension	
	None	
...NL	0.0625 ... 4.8750” (increments of 0.0625)	

022	Piston rod thread	
	Standard	
U12	1/2-20 UNF	
U78	7/8-14 UNF	
U112	1 1/2-12 UNF	
U114	1 1/4-12 UNF	

023	Type of mounting	
ME	Direct mounting, female thread	
MF1	Flange plate, bearing cap	
MF2	Flange plate end cap	
MP1	Swivel bearing	
MP2	Swivel mounting	
MP3	Swivelling rod eye mounting in the end cap	
MP4	Swivelling rod eye mounting	
MS1	Foot mounting	
MS2	Foot mounting at the side	
MS4	Direct mounting	
MT1	Swivel mounting on the bearing cap	
MT2	Swivel mounting on the end cap	
MX1	Threaded rods at both ends	
MX2	Threaded rod, end cap	
MX3	Threaded rod, bearing cap	

Datasheet

General technical data							
Piston diameter	1 1/2"	2"	2 1/2"	3 1/4"	4"	5"	6"
Stroke ["]	0.0625 ... 98"						
Design	Piston Piston rod Tie rod Cylinder barrel						
Mode of operation	Double-acting						
Pneumatic connection	1/8 NPT 1/4 NPT 3/8 NPT		1/8 NPT 1/4 NPT 3/8 NPT 1/2 NPT			1/8 NPT 1/4 NPT 3/8 NPT 1/2 NPT 3/4 NPT	
Piston-rod end	Male thread Bolt with male thread Female thread						
Piston rod thread	7/8-14 UNF-2A 7/16-20 UNF-2B 7/16-20 UNF-2A 3/4-16 UNF-2B 3/4-16 UNF-2A 1/2-20 UNF-2A		7/8-14 UNF-2A 3/4-16 UNF-2B 3/4-16 UNF-2A 1-14 UNS-2B 1-14 UNS-2A 1 1/4-12 UNF-2A			1-14 UNS-2B 1-14 UNS-2A 1 1/4-12 UNF-2B 1 1/4-12 UNF-2A 1 1/2-12 UNF-2A	
Cushioning	Elastic cushioning rings/plates at both ends Pneumatic cushioning, adjustable at both ends No cushioning Pneumatic cushioning at both ends, non-adjustable Pneumatic cushioning at the front, non-adjustable Pneumatic cushioning at the rear, non-adjustable Pneumatic cushioning at the front, adjustable Pneumatic cushioning at the rear, adjustable						
Position detection	Via proximity switch Without						
Type of mounting	Either: Direct mounting via thread With accessories						
Mounting position	optional						
Adjusting screw position	Rotated 0° Rotated 90° Rotated 180° Rotated 270°						

Operating and environmental conditions							
Piston diameter	1 1/2"	2"	2 1/2"	3 1/4"	4"	5"	6"
Conforms to standard	NFPA/T3.6.7						
Operating pressure	0.048 ... 1 MPa						
Operating pressure	6.96 ... 145 psi						
Operating pressure	0.48 ... 10 bar						
Operating medium	Compressed air to ISO 8573-1:2010 [7:4:4]						
Note on operating and pilot medium	Lubricated operation possible (in which case lubricated operation will always be required)						
Ambient temperature ¹⁾	-20 ... 150°C						
Ambient temperature ²⁾	-4 ... 302°F						
Corrosion resistance class CRC ³⁾	1 - Low corrosion stress						

1) Note the application range of the proximity switches

2) Note the application range of the proximity switches

3) More information visit www.festo.com/x/topic/kbk

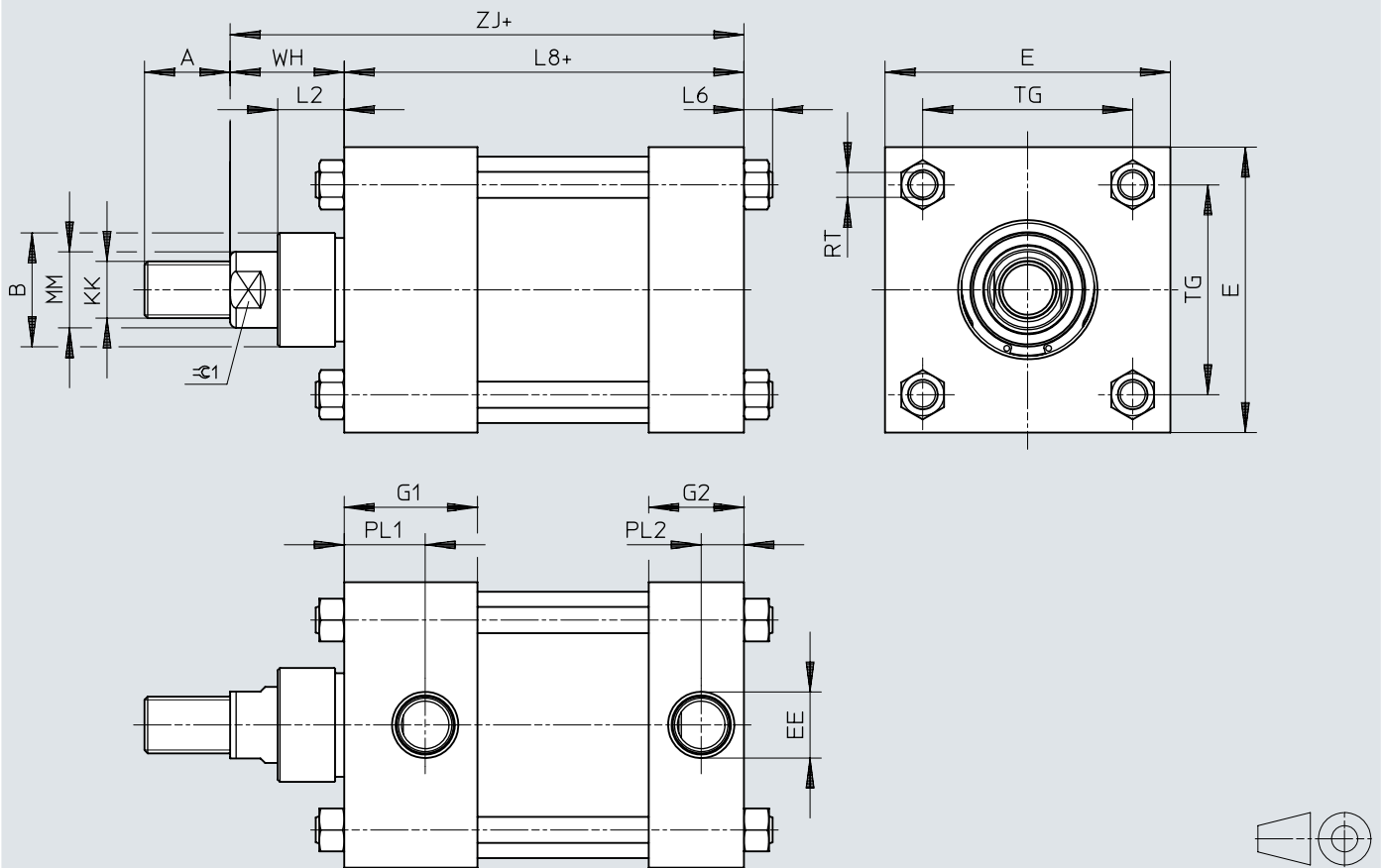
Forces							
Piston diameter	1 1/2"	2"	2 1/2"	3 1/4"	4"	5"	6"
Theoretical force at 0.6 MPa (6 bar, 87 psi), advance stroke	680 N	1,178 N	1,930 N	3,246 N	4,903 N	7,601 N	10,888 N
Theoretical force at 0.6 MPa (6 bar, 87 psi), return stroke	563 N	990 N	1,811 N	2,942 N	4,599 N	7,297 N	10,313 N

Datasheet

Materials							
Piston diameter	1 1/2"	2"	2 1/2"	3 1/4"	4"	5"	6"
Material cover	Anodised wrought aluminium alloy						
Material seals	FPM NBR PUR	NBR FPM PUR	FPM NBR PUR				
Material piston rod	Steel, hard-chrome-plated						
Material cylinder barrel	Smooth-anodised wrought aluminium alloy						
Note on materials	RoHS-compliant						
LABS (PWIS) conformity	VDMA24364 zone III						

Dimensions

Dimensions – Basic type

Download CAD data www.festo.com

[1] + = plus stroke length

Dimensions

∅	A	B ∅	E	EE	G1	G2	MM ∅	L2
DSNB-N-1 1/2"-...	0.75	1.125	2	3/8	1.438	0.973	0.625	0.625
DSNB-NR-1 1/2"-...	1.125	1.5	2	1/4	1.438	0.973	1	0.875
DSNB-N-2"-...	0.75	1.125	2.5	3/8	1.438	0.973	0.625	0.625
DSNB-NR-2"-...	1.125	1.5	2.5	3/8	1.438	0.973	1	0.875
DSNB-N-2 1/2"-...	0.75	1.125	3	3/8	1.438	0.973	0.625	0.625
DSNB-NR-2 1/2"-...	1.125	1.5	3	3/8	1.438	0.973	1	0.875
DSNB-N-3 1/4"-...	1.125	1.5	3.75	1/2	1.656	1.156	1	0.875
DSNB-NR-3 1/4"-...	1.625	2	3.75	1/2	1.656	1.156	1.375	1
DSNB-N-4"-...	1.125	1.5	4.5	1/2	1.656	1.156	1	0.875
DSNB-NR-4"-...	1.625	2	4.5	1/2	1.656	1.156	1.375	1
DSNB-N-5"-...	1.125	1.5	5.5	1/2	1.656	1.156	1	0.875
DSNB-NR-5"-...	1.625	2	5.5	1/2	1.656	1.156	1.375	1
DSNB-N-6"-...	1.625	2	6.5	3/4	1.906	1.406	1.375	1
DSNB-NR-6"-...	2	2.375	6.5	3/4	1.906	1.406	1.75	1.125

∅	L6	L8 ¹⁾ ±0.03	PL1	PL2	RT	TG	WH ²⁾ ±0.08	ZJ ¹⁾
DSNB-N-1 1/2"-...	0.25	3.625	0.938	0.437	1/4-28 UNF-2B	1.428	1	4.625
DSNB-NR-1 1/2"-...	0.25	3.625	1.085	0.437	1/4-28 UNF-2B	1.428	1.375	5
DSNB-N-2"-...	0.313	3.625	0.938	0.437	5/16-24 UNF-2B	1.838	1	4.625
DSNB-NR-2"-...	0.313	3.625	0.938	0.437	5/16-24 UNF-2B	1.838	1.375	5
DSNB-N-2 1/2"-...	0.313	3.75	0.938	0.437	5/16-24 UNF-2B	2.192	1	4.749
DSNB-NR-2 1/2"-...	0.313	3.75	0.938	0.437	5/16-24 UNF-2B	2.192	1.375	5.125
DSNB-N-3 1/4"-...	0.375	4.25	1.063	0.562	3/8-24 UNF-2B	2.758	1.375	5.625
DSNB-NR-3 1/4"-...	0.375	4.25	1.063	0.562	3/8-24 UNF-2B	2.758	1.625	5.875
DSNB-N-4"-...	0.375	4.25	1.063	0.562	3/8-24 UNF-2B	3.323	1.375	5.625
DSNB-NR-4"-...	0.375	4.25	1.063	0.562	3/8-24 UNF-2B	3.323	1.625	5.875
DSNB-N-5"-...	0.5	4.5	1.063	0.562	1/2-20 UNF-2B	4.101	1.375	5.875
DSNB-NR-5"-...	0.5	4.5	1.063	0.562	1/2-20 UNF-2B	4.101	1.625	6.125
DSNB-N-6"-...	0.5	5	1.188	0.687	1/2-20 UNF-2B	4.879	1.625	6.625
DSNB-NR-6"-...	0.5	5	1.188	0.687	1/2-20 UNF-2B	4.879	1.875	6.875

∅	KK							≈G1							3)		
	U34	U1S	U112	U12	U78	U114	U716	U34	U1S	U112	U12	U78	U114	U716	0 psi	80 psi	100 psi
DSNB-N-1 1/2"-...	7/16-20 UNF-2A			1/2-20 UNF-2A				0.562			0.562				0.106	0	0
DSNB-NR-1 1/2"-...	3/4-16 UNF-2A			7/8-14 UNF-2A				0.875			0.875				0.106	0	0
DSNB-N-2"-...	7/16-20 UNF-2A			1/2-20 UNF-2A				0.562			0.562				0.09	0.018	0
DSNB-NR-2"-...	3/4-16 UNF-2A			7/8-14 UNF-2A				0.875			0.875				0.09	0.018	0
DSNB-N-2 1/2"-...	7/16-20 UNF-2A			1/2-20 UNF-2A				0.562			0.562				0.201	0.008	0
DSNB-NR-2 1/2"-...	3/4-16 UNF-2A			7/8-14 UNF-2A				0.875			0.875				0.201	0.008	0
DSNB-N-3 1/4"-...	3/4-16 UNF-2A			7/8-14 UNF-2A				0.875			0.875				0.16	0.038	0
DSNB-NR-3 1/4"-...	1-14 UNS-2A			1 1/4-12 UNF-2A				1.125			1.25				0.16	0.038	0
DSNB-N-4"-...	3/4-16 UNF-2A			7/8-14 UNF-2A				0.875			0.875				0.15	0.005	0
DSNB-NR-4"-...	1-14 UNS-2A			1 1/4-12 UNF-2A				1.125			1.25				0.15	0.005	0
DSNB-N-5"-...	3/4-16 UNF-2A			7/8-14 UNF-2A				0.875			0.813				0.219	0.015	0
DSNB-NR-5"-...	1-14 UNS-2A			1 1/4-12 UNF-2A				1.125			1.25				0.219	0.015	0
DSNB-N-6"-...	1-14 UNS-2A			1 1/4-12 UNF-2A				1.125			1.25				-	-	-
DSNB-NR-6"-...	1 1/4-12 UNF-2A			1 1/2-12 UNF-2A				1.5			1.5				-	-	-

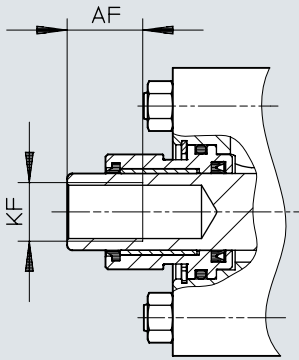
1) With cushioning [P] plus 0.214 inch

2) With noise reduction [SL] at 100 psi

3) With noise reduction [SL]: reduction of the stroke length

Dimensions

Dimensions – [F] Female thread

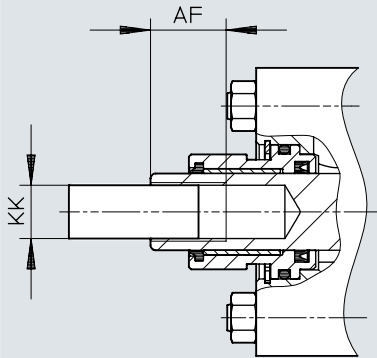
Download CAD data www.festo.com

ø	AF	KF					
		U34	U1S	U112	U12	U78	U114
DSNB-N-1 1/2"-...-F	0.75	7/16-20 UNF-2B			1/2-20 UNF-2B		
DSNB-NR-1 1/2"-...-F	1.125	3/4-16 UNF-2B			7/8-14 UNF-2B		
DSNB-N-2"-...-F	0.75	7/16-20 UNF-2B			1/2-20 UNF-2B		
DSNB-NR-2"-...-F	1.125	3/4-16 UNF-2B			7/8-14 UNF-2B		
DSNB-N-2 1/2"-...-F	0.75	7/16-20 UNF-2B			1/2-20 UNF-2B		
DSNB-NR-2 1/2"-...-F	1.125	3/4-16 UNF-2B			7/8-14 UNF-2B		
DSNB-N-3 1/4"-...-F	1.125	3/4-16 UNF-2B			7/8-14 UNF-2B		
DSNB-NR-3 1/4"-...-F	1.625	1-14 UNS-2B			1 1/4-12 UNF-2B		
DSNB-N-4"-...-F	1.125	3/4-16 UNF-2B			7/8-14 UNF-2B		
DSNB-NR-4"-...-F	1.625	1-14 UNS-2B			1 1/4-12 UNF-2B		
DSNB-N-5"-...-F	1.125	3/4-16 UNF-2B			7/8-14 UNF-2B		
DSNB-NR-5"-...-F	1.625	1-14 UNS-2B			1 1/4-12 UNF-2B		
DSNB-N-6"-...-F	1.625	1-14 UNS-2B			1 1/4-12 UNF-2B		
DSNB-NR-6"-...-F	2	1 1/4-12 UNF-2B			1 1/2-12 UNF-2B		

Dimensions

Dimensions – [X] Bolt with male thread

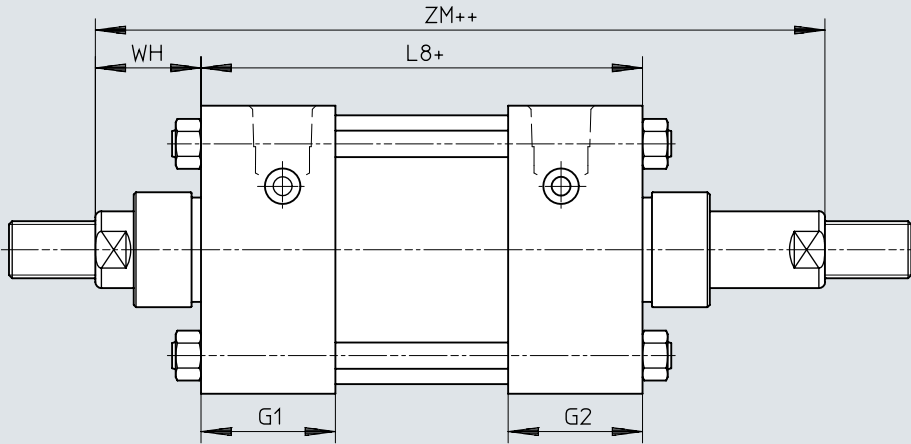
Download CAD data www.festo.com



ø	AF	KK							
			U34	U1S	U112	U12	U78	U114	U716
DSNB-N-1 1/2"-...-X	0.75		7/16-20 UNF-2A				1/2-20 UNF-2A		
DSNB-NR-1 1/2"-...-X	1.125		3/4-16 UNF-2A				7/8-14 UNF-2A		
DSNB-N-2"-...-X	0.75		7/16-20 UNF-2A				1/2-20 UNF-2A		
DSNB-NR-2"-...-X	1.125		3/4-16 UNF-2A				7/8-14 UNF-2A		
DSNB-N-2 1/2"-...-X	0.75		7/16-20 UNF-2A				1/2-20 UNF-2A		
DSNB-NR-2 1/2"-...-X	1.125		3/4-16 UNF-2A				7/8-14 UNF-2A		
DSNB-N-3 1/4"-...-X	1.125		3/4-16 UNF-2A				7/8-14 UNF-2A		
DSNB-NR-3 1/4"-...-X	1.625		1-14 UNS-2A				1 1/4-12 UNF-2A		
DSNB-N-4"-...-X	1.125		3/4-16 UNF-2A				7/8-14 UNF-2A		
DSNB-NR-4"-...-X	1.625		1-14 UNS-2A				1 1/4-12 UNF-2A		
DSNB-N-5"-...-X	1.125		3/4-16 UNF-2A				7/8-14 UNF-2A		
DSNB-NR-5"-...-X	1.625		1-14 UNS-2A				1 1/4-12 UNF-2A		
DSNB-N-6"-...-X	1.625		1-14 UNS-2A				1 1/4-12 UNF-2A		
DSNB-NR-6"-...-X	2		1 1/4-12 UNF-2A				1 1/2-12 UNF-2A		

Dimensions

Dimensions – [T] Through piston rod

Download CAD data www.festo.com

[1] += plus stroke length

[2] ++ = plus 2x stroke length

∅	G1	G2	L8 ¹⁾	WH ²⁾	ZM ¹⁾	3)		
						±0.08	0 psi	80 psi
DSNB-N-1 1/2"-...-T	1.438	1.438	4.125	1	6.125	0.106	0	0
DSNB-NR-1 1/2"-...-T	1.438	1.438	4.125	1.375	6.875	0.106	0	0
DSNB-N-2"-...-T	1.438	1.438	4.125	1	6.125	0.09	0.018	0
DSNB-NR-2"-...-T	1.438	1.438	4.125	1.375	6.875	0.09	0.018	0
DSNB-N-2 1/2"-...-T	1.438	1.438	4.25	1	6.25	0.201	0.008	0
DSNB-NR-2 1/2"-...-T	1.438	1.438	4.25	1.375	7	0.201	0.008	0
DSNB-N-3 1/4"-...-T	1.656	1.656	4.75	1.375	7.5	0.16	0.038	0
DSNB-NR-3 1/4"-...-T	1.656	1.656	4.75	1.625	8	0.16	0.038	0
DSNB-N-4"-...-T	1.656	1.656	4.75	1.375	7.5	0.15	0.005	0
DSNB-NR-4"-...-T	1.656	1.656	4.75	1.625	8	0.15	0.005	0
DSNB-N-5"-...-T	1.656	1.656	5	1.375	7.5	0.219	0.015	0
DSNB-NR-5"-...-T	1.656	1.656	5	1.625	8.25	0.219	0.015	0
DSNB-N-6"-...-T	1.906	1.906	5.5	1.625	8.75	–	–	–
DSNB-NR-6"-...-T	1.906	1.906	5.5	1.875	9.25	–	–	–

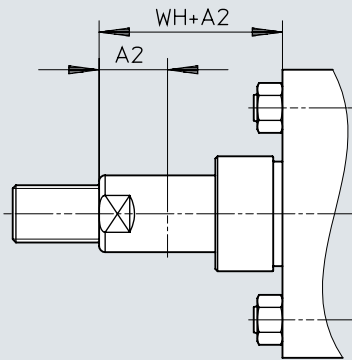
1) With cushioning [P] plus 0.214 inch

2) With noise reduction [SL] at 100 psi

3) With noise reduction [SL]: reduction of the stroke length

Dimensions

Dimensions – [NE] Piston rod extension

Download CAD data www.festo.com

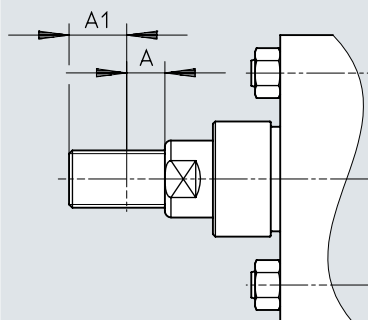
ø	A2		WH ¹⁾ ±0.08	2)		
	min.	max.		0 psi	80 psi	100 psi
DSNB-N-1 1/2"-...-NE	0.0625	6.125	1	0.106	0	0
DSNB-NR-1 1/2"-...-NE	0.0625	6.125	1.375	0.106	0	0
DSNB-N-2"-...-NE	0.0625	6.125	1	0.09	0.018	0
DSNB-NR-2"-...-NE	0.0625	6.125	1.375	0.09	0.018	0
DSNB-N-2 1/2"-...-NE	0.0625	6.125	1	0.201	0.008	0
DSNB-NR-2 1/2"-...-NE	0.0625	6.125	1.375	0.201	0.008	0
DSNB-N-3 1/4"-...-NE	0.0625	6.125	1.375	0.16	0.038	0
DSNB-NR-3 1/4"-...-NE	0.0625	6.125	1.625	0.16	0.038	0
DSNB-N-4"-...-NE	0.0625	6.125	1.375	0.15	0.005	0
DSNB-NR-4"-...-NE	0.0625	6.125	1.625	0.15	0.005	0
DSNB-N-5"-...-NE	0.0625	6.125	1.375	0.219	0.015	0
DSNB-NR-5"-...-NE	0.0625	6.125	1.625	0.219	0.015	0
DSNB-N-6"-...-NE	0.0625	6.125	1.625	–	–	–
DSNB-NR-6"-...-NE	0.0625	6.125	1.875	–	–	–

1) With noise reduction [SL] at 100 psi

2) With noise reduction [SL]: reduction of the stroke length

Dimensions

Dimensions – [NL] Piston rod thread extension

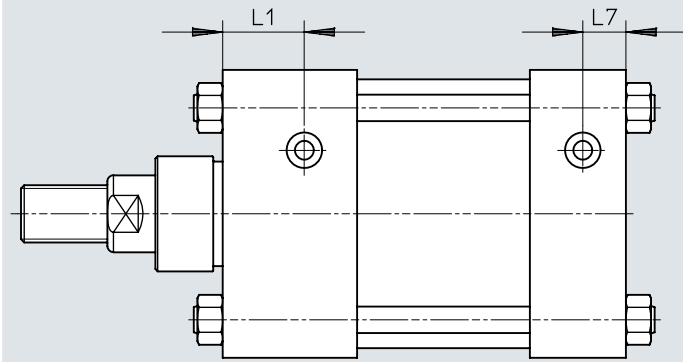
Download CAD data www.festo.com

ø	A	A1	
		min.	max.
DSNB-N-1 1/2"-...-NL	0.75	0.0625	4.875
DSNB-NR-1 1/2"-...-NL	1.125	0.0625	4.875
DSNB-N-2"-...-NL	0.75	0.0625	4.875
DSNB-NR-2"-...-NL	1.125	0.0625	4.875
DSNB-N-2 1/2"-...-NL	0.75	0.0625	4.875
DSNB-NR-2 1/2"-...-NL	1.125	0.0625	4.875
DSNB-N-3 1/4"-...-NL	1.125	0.0625	4.875
DSNB-NR-3 1/4"-...-NL	1.625	0.0625	4.875
DSNB-N-4"-...-NL	1.125	0.0625	4.875
DSNB-NR-4"-...-NL	1.625	0.0625	4.875
DSNB-N-5"-...-NL	1.125	0.0625	4.875
DSNB-NR-5"-...-NL	1.625	0.0625	4.875
DSNB-N-6"-...-NL	1.625	0.0625	4.875
DSNB-NR-6"-...-NL	2	0.0625	4.875

Dimensions

Dimensions – [P] [PP] [PP2] [PP3] [PPV] [PPV1] [PPV2] Damping

Download CAD data www.festo.com



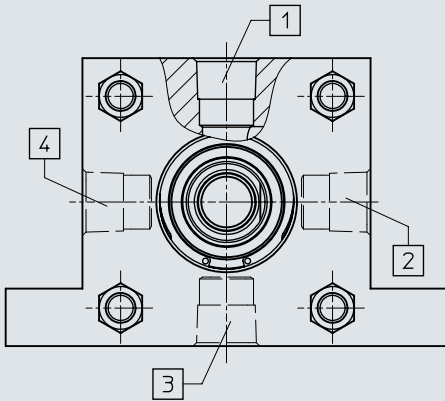
Dimensions

∅	L1	L7
DSNB-N-1 1/2"-...-PP/PPV	1	0.5
DSNB-N-1 1/2"-...-PP2/PPV1	1	-
DSNB-N-1 1/2"-...-PP3/PPV2	-	0.5
DSNB-NR-1 1/2"-...-PP/PPV	1	0.5
DSNB-NR-1 1/2"-...-PP2/PPV1	1	-
DSNB-NR-1 1/2"-...-PP3/PPV2	-	0.5
DSNB-N-2"-...-PP/PPV	1	0.5
DSNB-N-2"-...-PP2/PPV1	1	-
DSNB-N-2"-...-PP3/PPV2	-	0.5
DSNB-NR-2"-...-PP/PPV	1	0.5
DSNB-NR-2"-...-PP2/PPV1	1	-
DSNB-NR-2"-...-PP3/PPV2	-	0.5
DSNB-N-2 1/2"-...-PP/PPV	1	0.5
DSNB-N-2 1/2"-...-PP2/PPV1	1	-
DSNB-N-2 1/2"-...-PP3/PPV2	-	0.5
DSNB-NR-2 1/2"-...-PP/PPV	1	0.5
DSNB-NR-2 1/2"-...-PP2/PPV1	1	-
DSNB-NR-2 1/2"-...-PP3/PPV2	-	0.5
DSNB-N-3 1/4"-...-PP/PPV	1.06	0.56
DSNB-N-3 1/4"-...-PP2/PPV1	1.06	-
DSNB-N-3 1/4"-...-PP3/PPV2	-	0.56
DSNB-NR-3 1/4"-...-PP/PPV	1.06	0.56
DSNB-NR-3 1/4"-...-PP2/PPV1	1.06	-
DSNB-NR-3 1/4"-...-PP3/PPV2	-	0.56
DSNB-N-4"-...-PP/PPV	1.06	0.56
DSNB-N-4"-...-PP2/PPV1	1.06	-
DSNB-N-4"-...-PP3/PPV2	-	0.56
DSNB-NR-4"-...-PP/PPV	1.06	0.56
DSNB-NR-4"-...-PP2/PPV1	1.06	-
DSNB-NR-4"-...-PP3/PPV2	-	0.56
DSNB-N-5"-...-PP/PPV	1.06	0.56
DSNB-N-5"-...-PP2/PPV1	1.06	-
DSNB-N-5"-...-PP3/PPV2	-	0.56
DSNB-NR-5"-...-PP/PPV	1.06	0.56
DSNB-NR-5"-...-PP2/PPV1	1.06	-
DSNB-NR-5"-...-PP3/PPV2	-	0.56
DSNB-N-6"-...-PP/PPV	1.19	0.69
DSNB-N-6"-...-PP2/PPV1	1.19	-
DSNB-N-6"-...-PP3/PPV2	-	0.69
DSNB-NR-6"-...-PP/PPV	1.19	0.69
DSNB-NR-6"-...-PP2/PPV1	1.19	-
DSNB-NR-6"-...-PP3/PPV2	-	0.69

Dimensions

Dimensions – [] [P90] [P180] [P270] Compressed air connection position

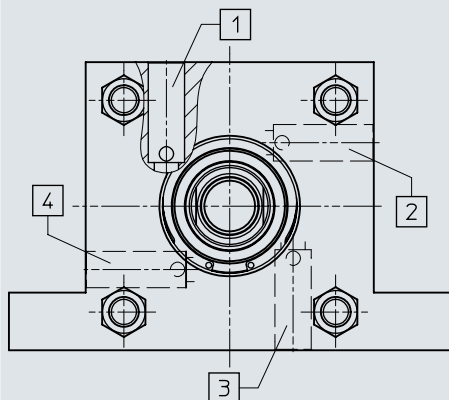
Download CAD data www.festo.com



- [1] [] Lateral
- [2] [P90] rotated 90°
- [3] [P180] rotated 180°
- [4] [P270] rotated 270°

Dimensions

Dimensions – [R1] [R2] [R3] [R4] Position of the adjusting screw

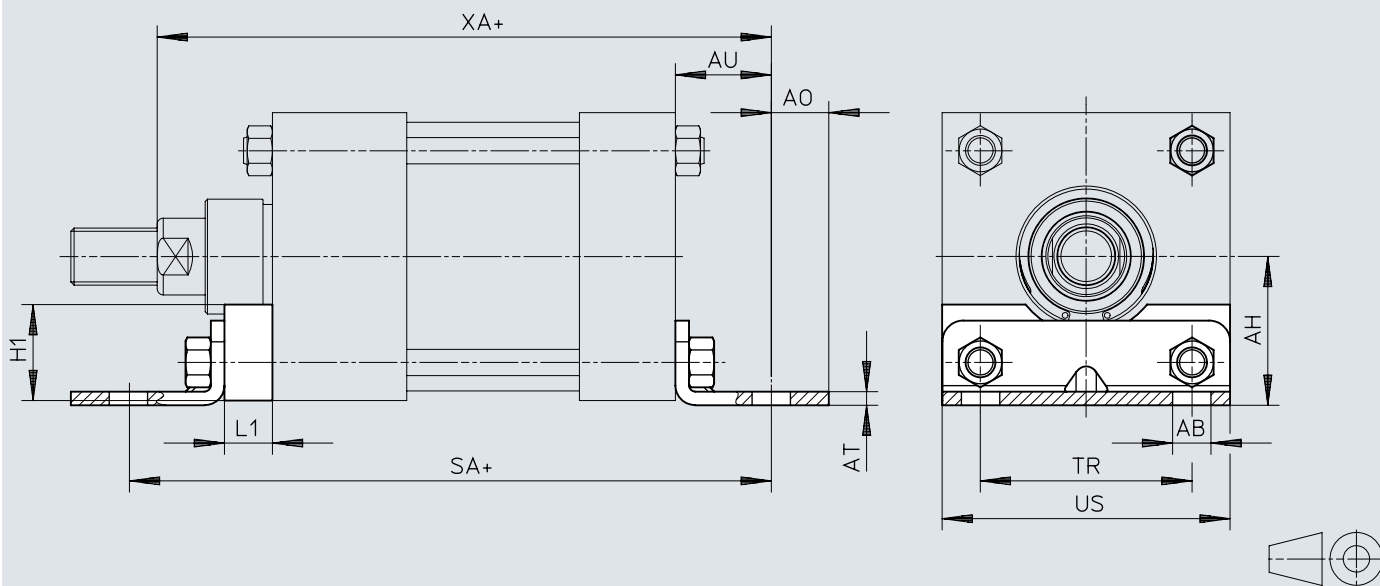
Download CAD data www.festo.com

- [1] [R1] rotated 0°
- [2] [R2] rotated 90°
- [3] [R3] rotated 180°
- [4] [R4] rotated 270°

Dimensions

Dimensions – [MS1] Foot mounting

Download CAD data www.festo.com



[1] += plus stroke length

∅	AB	AH	AO	AT	AU	H1	L1	SA ¹⁾	TR	XA ¹⁾²⁾	US	3)		
												0 psi	80 psi	100 psi
								±0.06						
DSNB-N-1 1/2"-...-MS1	0.375	1.888	0.375	0.125	1	0.75	0.375	6	1.25	5.625	2	0.106	0	0
DSNB-NR-1 1/2"-...-MS1	0.375	1.888	0.375	0.125	1	0.75	0.375	6	1.25	6	2	0.106	0	0
DSNB-N-2"-...-MS1	0.375	1.438	0.375	0.125	1	0.75	0.375	6	1.75	5.625	2.5	0.09	0.018	0
DSNB-NR-2"-...-MS1	0.375	1.438	0.375	0.125	1	0.75	0.375	6	1.75	6	2.5	0.09	0.018	0
DSNB-N-2 1/2"-...-MS1	0.375	1.625	0.375	0.125	1	1	0.375	6.125	2.25	5.75	3	0.201	0.008	0
DSNB-NR-2 1/2"-...-MS1	0.375	1.625	0.375	0.125	1	1	0.375	6.125	2.25	6.125	3	0.201	0.008	0
DSNB-N-3 1/4"-...-MS1	0.5	1.938	0.5	0.125	1.25	1.25	0.625	7.375	2.75	6.875	3.75	0.16	0.038	0
DSNB-NR-3 1/4"-...-MS1	0.5	1.938	0.5	0.125	1.25	1.25	0.625	7.375	2.75	7.125	3.75	0.16	0.038	0
DSNB-N-4"-...-MS1	0.5	2.25	0.5	0.125	1.25	1.25	0.625	7.375	3.5	6.875	4.5	0.15	0.005	0
DSNB-NR-4"-...-MS1	0.5	2.25	0.5	0.125	1.25	1.25	0.625	7.375	3.5	7.125	4.5	0.15	0.005	0
DSNB-N-5"-...-MS1	0.625	2.75	0.625	0.188	1.375	1.5	0.625	7.875	4.25	7.25	5.5	0.219	0.015	0
DSNB-NR-5"-...-MS1	0.625	2.75	0.625	0.188	1.375	1.5	0.625	7.875	4.25	7.5	5.5	0.219	0.015	0
DSNB-N-6"-...-MS1	0.75	3.25	0.625	0.188	1.375	1.5	0.75	8.5	5.25	8	6.5	-	-	-
DSNB-NR-6"-...-MS1	0.75	3.25	0.625	0.188	1.375	1.5	0.75	8.5	5.25	8.25	6.5	-	-	-

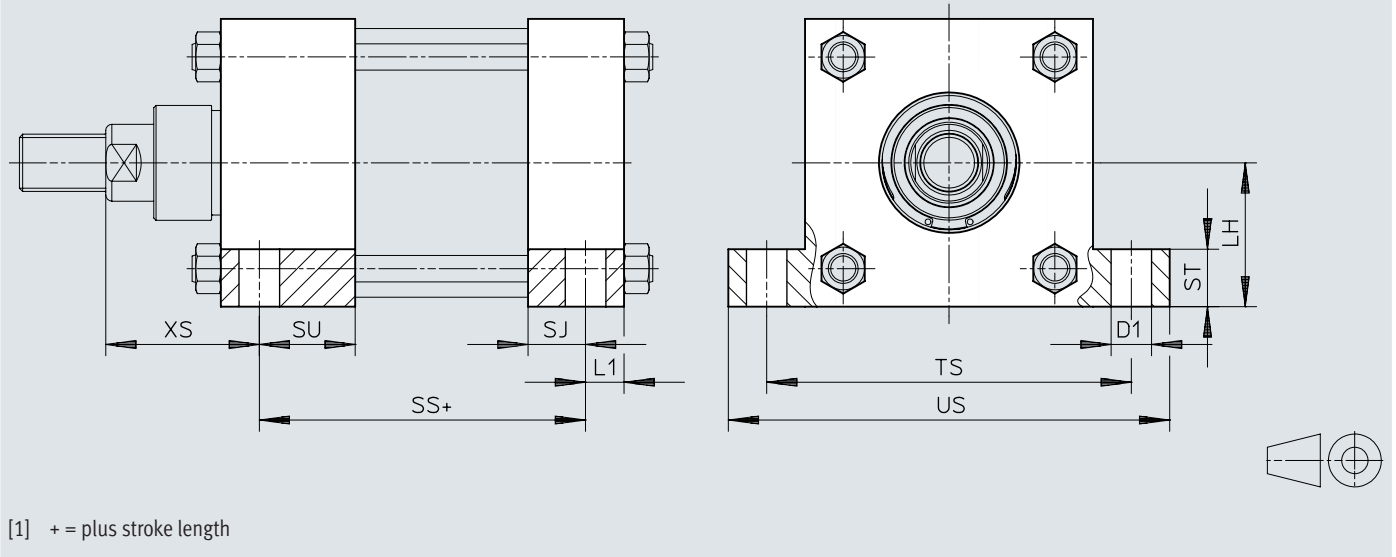
1) With cushioning [P] plus 0.214 inch

2) With noise reduction [SL] at 100 psi

3) With noise reduction [SL]: reduction of the stroke length

Dimensions

Dimensions – [MS2] Foot mounting at the side

Download CAD data www.festo.com

∅	D1	L1	LH	SJ	SS ¹⁾	ST	SU	TS	US	XS ²⁾	3)		
											0 psi	80 psi	100 psi
DSNB-N-1 1/2"-...-MS2	3/8 UNF-2B	0.375	1	0.562	2.875	0.5	1.063	2.75	3.5	1.375	0.106	0	0
DSNB-NR-1 1/2"-...-MS2	3/8 UNF-2B	0.375	1	0.562	2.875	0.5	1.063	2.75	3.5	1.75	0.106	0	0
DSNB-N-2"-...-MS2	3/8 UNF-2B	0.375	1.25	0.562	2.875	0.5	1.063	3.25	4	1.375	0.09	0.018	0
DSNB-NR-2"-...-MS2	3/8 UNF-2B	0.375	1.25	0.562	2.875	0.5	1.063	3.25	4	1.75	0.09	0.018	0
DSNB-N-2 1/2"-...-MS2	3/8 UNF-2B	0.375	1.5	0.562	3	0.5	1.063	3.75	4.5	1.375	0.201	0.008	0
DSNB-NR-2 1/2"-...-MS2	3/8 UNF-2B	0.375	1.5	0.562	3	0.5	1.063	3.75	4.5	1.75	0.201	0.008	0
DSNB-N-3 1/4"-...-MS2	1/2 UNF-2B	0.5	1.875	0.656	3.25	0.75	1.156	4.75	5.75	1.875	0.16	0.038	0
DSNB-NR-3 1/4"-...-MS2	1/2 UNF-2B	0.5	1.875	0.656	3.25	0.75	1.156	4.75	5.75	2.125	0.16	0.038	0
DSNB-N-4"-...-MS2	1/2 UNF-2B	0.5	2.25	0.656	3.25	0.75	1.156	5.5	6.5	1.875	0.15	0.005	0
DSNB-NR-4"-...-MS2	1/2 UNF-2B	0.5	2.25	0.656	3.25	0.75	1.156	5.5	6.5	2.125	0.15	0.005	0
DSNB-N-5"-...-MS2	3/4 UNF-2B	0.688	2.75	0.438	3.125	1	0.969	6.875	8.25	2.063	0.219	0.015	0
DSNB-NR-5"-...-MS2	3/4 UNF-2B	0.688	2.75	0.438	3.125	1	0.969	6.875	8.25	2.313	0.219	0.015	0
DSNB-N-6"-...-MS2	3/4 UNF-2B	0.688	3.25	0.718	3.625	1	1.219	7.875	9.25	2.313	-	-	-
DSNB-NR-6"-...-MS2	3/4 UNF-2B	0.688	3.25	0.718	3.625	1	1.219	7.875	9.25	2.563	-	-	-

1) With cushioning [P] plus 0.214 inch

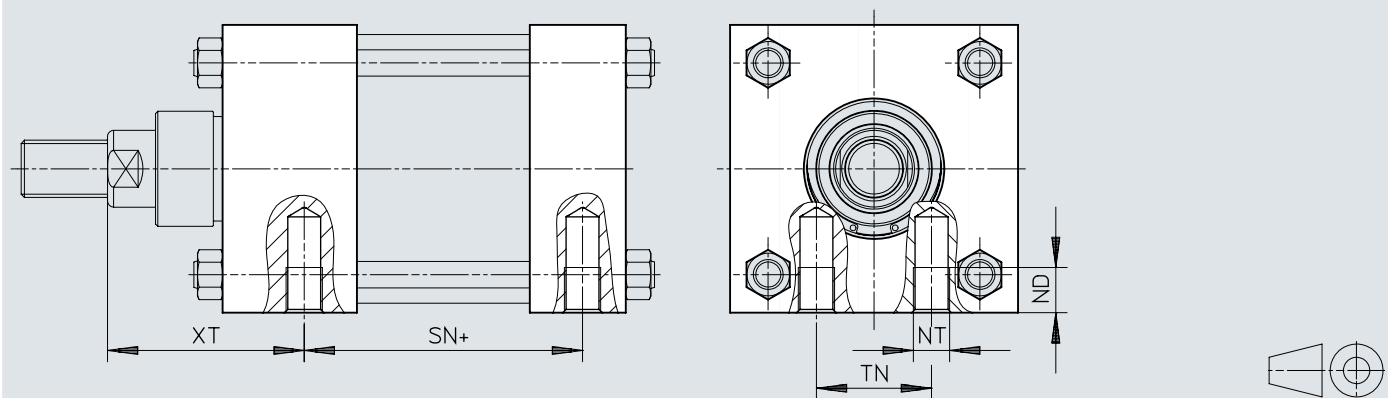
2) With noise reduction [SL] at 100 psi

3) With noise reduction [SL]: reduction of the stroke length

Dimensions

Dimensions – [MS4] Direct mounting

Download CAD data www.festo.com



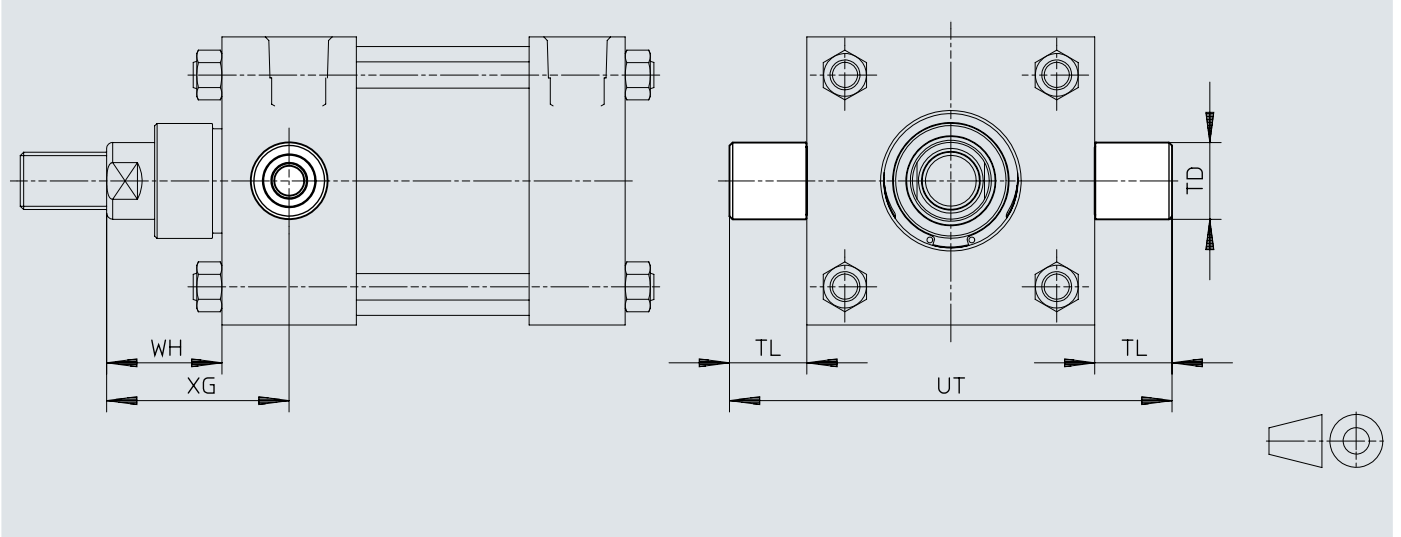
[1] += plus stroke length

∅	ND	NT	SN ¹⁾ ±0.05	TN	XT ²⁾ ±0.08	3)		
						0 psi	80 psi	100 psi
DSNB-N-1 1/2"-...-MS4	0.375	1/4-20 UNF-2B	2.25	0.625	1.938	0.106	0	0
DSNB-NR-1 1/2"-...-MS4	0.313	1/4-20 UNF-2B	2.25	0.625	2.313	0.106	0	0
DSNB-N-2"-...-MS4	0.5	5/16-18 UNF-2B	2.25	0.875	1.938	0.09	0.018	0
DSNB-NR-2"-...-MS4	0.5	5/16-18 UNF-2B	2.25	0.857	2.313	0.09	0.018	0
DSNB-N-2 1/2"-...-MS4	0.625	3/8-16 UNF-2B	2.375	1.25	1.938	0.201	0.008	0
DSNB-NR-2 1/2"-...-MS4	0.625	3/8-16 UNF-2B	2.375	1.25	2.313	0.201	0.008	0
DSNB-N-3 1/4"-...-MS4	0.75	1/2-13 UNF-2B	2.625	1.5	2.438	0.16	0.038	0
DSNB-NR-3 1/4"-...-MS4	0.75	1/2-13 UNF-2B	2.625	1.5	2.688	0.16	0.038	0
DSNB-N-4"-...-MS4	0.75	1/2-13 UNF-2B	2.625	2.063	2.438	0.15	0.005	0
DSNB-NR-4"-...-MS4	0.75	1/2-13 UNF-2B	2.625	2.063	2.688	0.15	0.005	0
DSNB-N-5"-...-MS4	1	5/8-11 UNF-2B	2.875	2.688	2.438	0.219	0.015	0
DSNB-NR-5"-...-MS4	1	5/8-11 UNF-2B	2.875	2.688	2.688	0.219	0.015	0
DSNB-N-6"-...-MS4	1.125	3/4-10 UNF-2B	3.125	3.25	2.813	-	-	-
DSNB-NR-6"-...-MS4	1.125	3/4-10 UNF-2B	3.125	3.25	3.063	-	-	-

- 1) With cushioning [P] plus 0.214 inch
- 2) With noise reduction [SL] at 100 psi
- 3) With noise reduction [SL]: reduction of the stroke length

Dimensions

Dimensions – [MT1] Swivel mounting on the bearing cap

Download CAD data www.festo.com

∅	TD ∅	TL	UT	WH ¹⁾ ±0.08	XG ¹⁾	2)		
						0 psi	80 psi	100 psi
DSNB-N-1 1/2"-...-MT1	1	1	4	1	1.75	0.106	0	0
DSNB-NR-1 1/2"-...-MT1	1	1	4	1.375	2.13	0.106	0	0
DSNB-N-2"-...-MT1	1	1	4.5	1	1.75	0.09	0.018	0
DSNB-NR-2"-...-MT1	1	1	4.5	1.375	2.13	0.09	0.018	0
DSNB-N-2 1/2"-...-MT1	1	1	5	1	1.75	0.201	0.008	0
DSNB-NR-2 1/2"-...-MT1	1	1	5	1.375	2.13	0.201	0.008	0
DSNB-N-3 1/4"-...-MT1	1	1	5.75	1.375	2.25	0.16	0.038	0
DSNB-NR-3 1/4"-...-MT1	1	1	5.75	1.625	2.5	0.16	0.038	0
DSNB-N-4"-...-MT1	1	1	6.5	1.375	2.25	0.15	0.005	0
DSNB-NR-4"-...-MT1	1	1	6.5	1.625	2.5	0.15	0.005	0
DSNB-N-5"-...-MT1	1	1	7.5	1.375	2.25	0.219	0.015	0
DSNB-NR-5"-...-MT1	1	1	7.5	1.625	2.5	0.219	0.015	0
DSNB-N-6"-...-MT1	1.375	1.375	9.25	1.625	2.63	–	–	–
DSNB-NR-6"-...-MT1	1.375	1.375	9.25	1.875	2.88	–	–	–

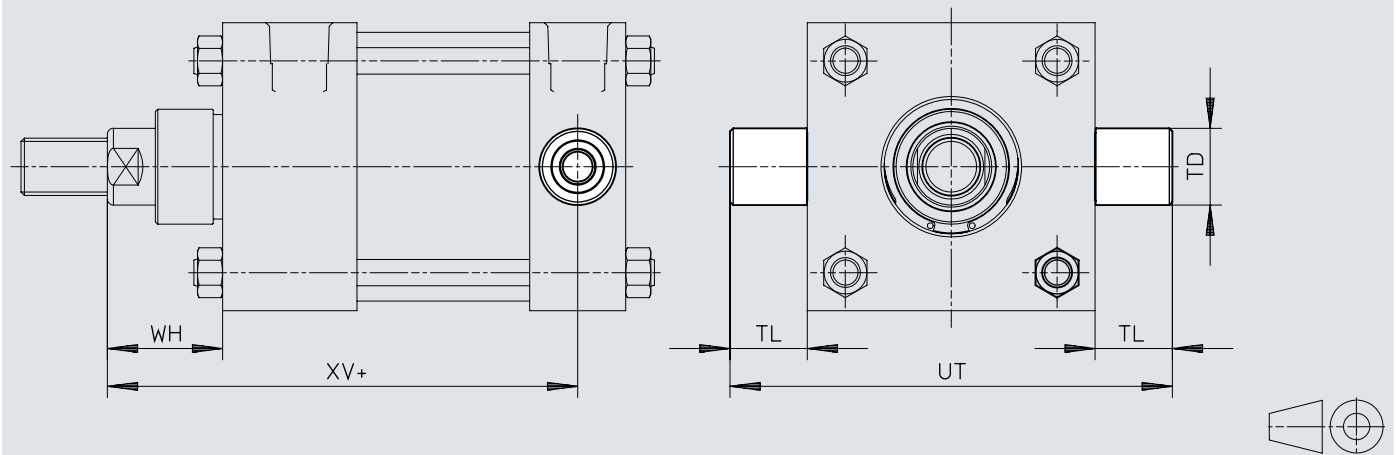
1) With noise reduction [SL] at 100 psi

2) With noise reduction [SL]: reduction of the stroke length

Dimensions

Dimensions – [MT2] Swivel mounting on the end cap

Download CAD data www.festo.com



[1] += plus stroke length

∅	TD ∅	TL	UT	WH ¹⁾ ±0.08	XV ¹⁾²⁾	3)		
						0 psi	80 psi	100 psi
DSNB-N-1 1/2"-...-MT2	1	1	4	1	4.13	0.106	0	0
DSNB-NR-1 1/2"-...-MT2	1	1	4	1.375	4.5	0.106	0	0
DSNB-N-2"-...-MT2	1	1	4.5	1	4.13	0.09	0.018	0
DSNB-NR-2"-...-MT2	1	1	4.5	1.375	4.5	0.09	0.018	0
DSNB-N-2 1/2"-...-MT2	1	1	5	1	4.25	0.201	0.008	0
DSNB-NR-2 1/2"-...-MT2	1	1	5	1.375	4.63	0.201	0.008	0
DSNB-N-3 1/4"-...-MT2	1	1	5.75	1.375	5	0.16	0.038	0
DSNB-NR-3 1/4"-...-MT2	1	1	5.75	1.625	5.25	0.16	0.038	0
DSNB-N-4"-...-MT2	1	1	6.5	1.375	5	0.15	0.005	0
DSNB-NR-4"-...-MT2	1	1	6.5	1.625	5.25	0.15	0.005	0
DSNB-N-5"-...-MT2	1	1	7.5	1.375	5.25	0.219	0.015	0
DSNB-NR-5"-...-MT2	1	1	7.5	1.625	5.5	0.219	0.015	0
DSNB-N-6"-...-MT2	1.375	1.375	9.25	1.625	5.88	–	–	–
DSNB-NR-6"-...-MT2	1.375	1.375	9.25	1.875	6.13	–	–	–

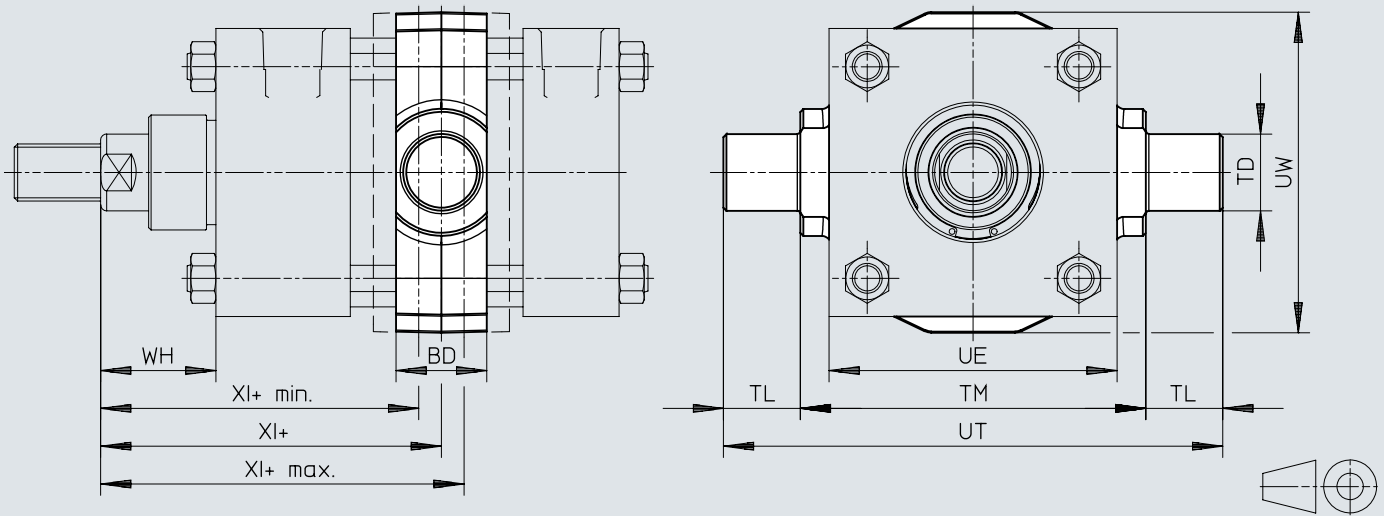
1) With noise reduction [SL] at 100 psi

2) With cushioning [P] plus 0.214 inch

3) With noise reduction [SL]: reduction of the stroke length

Dimensions

Dimensions – [MT4] Trunnion flange mounting position, positive-locking

Download CAD data www.festo.com

[1] += plus 1/2x stroke length

∅	1)	BD	TD ∅	TL	TM	UE	UT	UW	WH ²⁾ ±0.08	XI ³⁾ min.	XI ²⁾³⁾	XI ³⁾ max.	4)		
													0 psi	80 psi	100 psi
DSNB-N-1 1/2"-...-MT4	0	1.25	1	1	2.5	2.5	4.5	2.5	1	3.06	3.06	3.063	0.106	0	0
DSNB-NR-1 1/2"-...-MT4	0	1.25	1	1	2.5	2.5	4.5	2.5	1.375	3.44	3.44	3.438	0.106	0	0
DSNB-N-2"-...-MT4	0.25	1.5	1	1	3	3	5	3	1	3.19	2.94	2.938	0.09	0.018	0
DSNB-NR-2"-...-MT4	0.25	1.5	1	1	3	3	5	3	1.375	3.56	3.31	3.313	0.09	0.018	0
DSNB-N-2 1/2"-...-MT4	0.125	1.5	1	1	3.5	3.5	5.5	3.5	1	3.19	3.06	3.063	0.201	0.008	0
DSNB-NR-2 1/2"-...-MT4	0.125	1.5	1	1	3.5	3.5	5.5	3.5	1.375	3.56	3.44	3.438	0.201	0.008	0
DSNB-N-3 1/4"-...-MT4	0.563	2	1	1	4.5	4.5	6.5	4.25	1.375	4.03	3.47	3.469	0.16	0.038	0
DSNB-NR-3 1/4"-...-MT4	0.563	2	1	1	4.5	4.5	6.5	4.25	1.625	4.28	3.72	3.719	0.16	0.038	0
DSNB-N-4"-...-MT4	0.563	2	1	1	5.25	5.25	7.25	5	1.375	4.03	3.47	3.469	0.15	0.005	0
DSNB-NR-4"-...-MT4	0.563	2	1	1	5.25	5.25	7.25	5	1.625	4.28	3.72	3.719	0.15	0.005	0
DSNB-N-5"-...-MT4	0.313	2	1	1	6.25	6.25	8.25	6	1.375	4.03	3.72	3.719	0.219	0.015	0
DSNB-NR-5"-...-MT4	0.313	2	1	1	6.25	6.25	8.25	6	1.625	4.28	3.97	3.969	0.219	0.015	0
DSNB-N-6"-...-MT4	0.813	2.5	1.375	1.375	7.625	7.625	10.38	7	1.625	4.78	3.97	3.969	-	-	-
DSNB-NR-6"-...-MT4	0.813	2.5	1.375	1.375	7.625	7.625	10.38	7	1.875	5.03	5.03	4.219	-	-	-

1) Min. stroke

2) With noise reduction [SL] at 100 psi

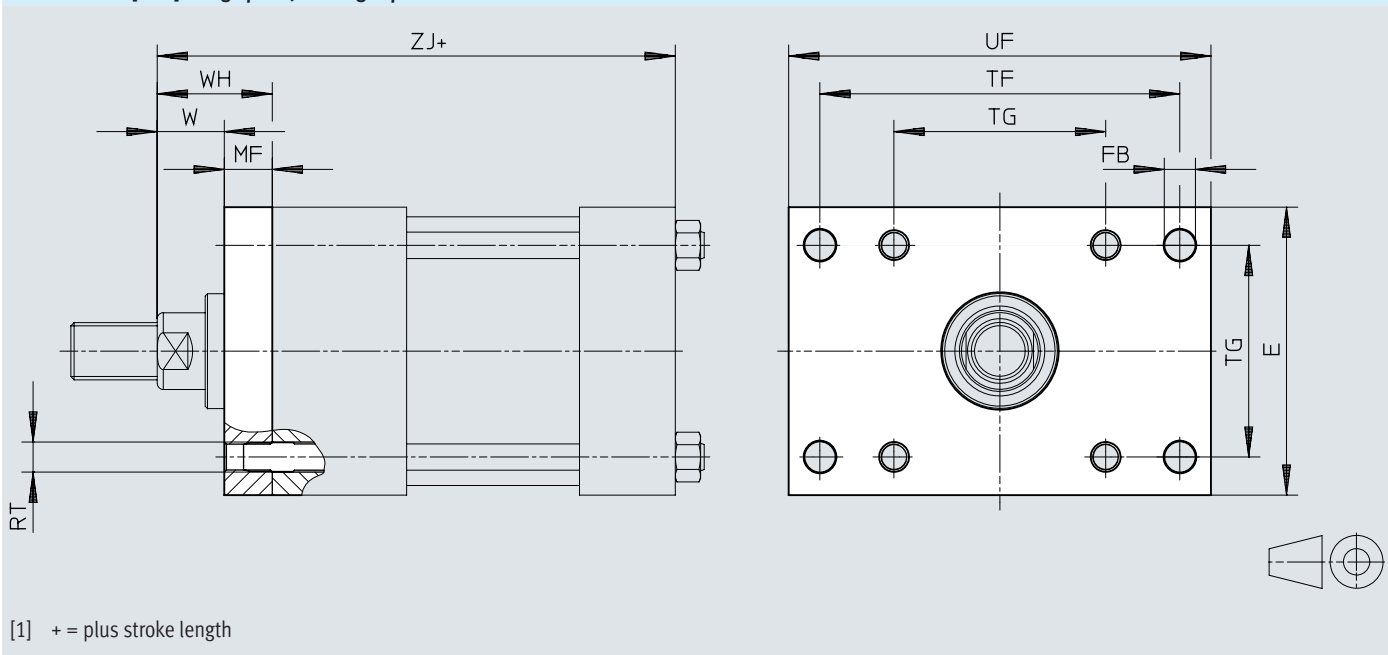
3) With cushioning [P] plus 0.107 inch

4) With noise reduction [SL]: reduction of the stroke length

Dimensions

Dimensions – [MF1] Flange plate, bearing cap

Download CAD data www.festo.com



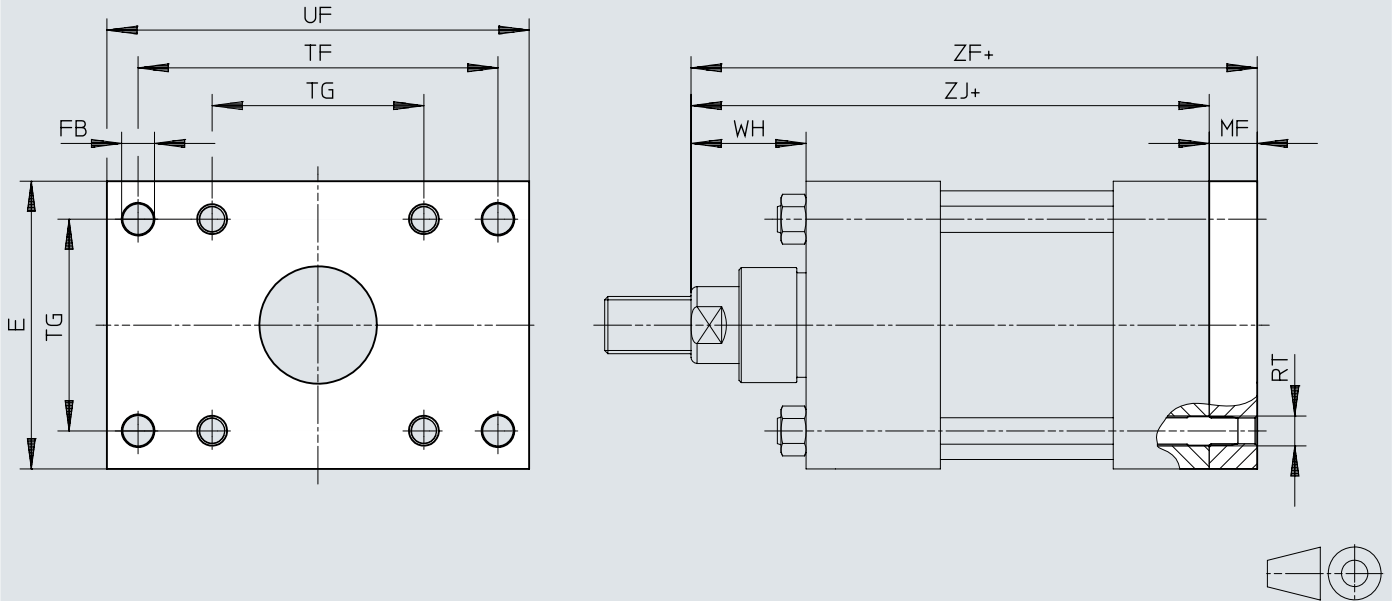
∅	E	FB ∅	MF	RT	TF	TG	UF	W ¹⁾ ±0.08	WH	ZJ ¹⁾²⁾ ±0.05	3)		
											0 psi	80 psi	100 psi
DSNB-N-1 1/2"-...-MF1	2	1/4	0.375	1/4-28 UNF-2B	2.75	1.428	3.375	0.625	1	4.625	0.106	0	0
DSNB-NR-1 1/2"-...-MF1	2	1/4	0.375	1/4-28 UNF-2B	2.75	1.428	3.375	1	1.375	5	0.106	0	0
DSNB-N-2"-...-MF1	2.5	5/16	0.375	5/16-24 UNF-2B	3.375	1.838	4.125	0.625	1	4.625	0.09	0.018	0
DSNB-NR-2"-...-MF1	2.5	5/16	0.375	5/16-24 UNF-2B	3.375	1.838	4.125	1	1.375	5	0.09	0.018	0
DSNB-N-2 1/2"-...-MF1	3	5/16	0.375	5/16-24 UNF-2B	3.875	2.192	4.625	0.625	1	4.75	0.201	0.008	0
DSNB-NR-2 1/2"-...-MF1	3	5/16	0.375	5/16-24 UNF-2B	3.875	2.192	4.625	1	1.375	5.125	0.201	0.008	0
DSNB-N-3 1/4"-...-MF1	3.75	3/8	0.625	3/8-24 UNF-2B	4.688	2.758	5.5	0.75	1.375	5.625	0.16	0.038	0
DSNB-NR-3 1/4"-...-MF1	3.75	3/8	0.625	3/8-24 UNF-2B	4.688	2.758	5.5	1	1.625	5.875	0.16	0.038	0
DSNB-N-4"-...-MF1	4.5	3/8	0.625	3/8-24 UNF-2B	5.438	3.323	6.25	0.75	1.375	5.625	0.15	0.005	0
DSNB-NR-4"-...-MF1	4.5	3/8	0.625	3/8-24 UNF-2B	5.438	3.323	6.25	1	1.625	5.875	0.15	0.005	0
DSNB-N-5"-...-MF1	5.5	1/2	0.625	1/2-20 UNF-2B	6.625	4.101	7.625	0.75	1.375	5.875	0.219	0.015	0
DSNB-NR-5"-...-MF1	5.5	1/2	0.625	1/2-20 UNF-2B	6.625	4.101	7.625	1	1.625	6.125	0.219	0.015	0
DSNB-N-6"-...-MF1	6.5	1/2	0.75	1/2-20 UNF-2B	7.625	4.879	8.625	0.875	1.625	6.625	-	-	-
DSNB-NR-6"-...-MF1	6.5	1/2	0.75	1/2-20 UNF-2B	7.625	4.879	8.625	1.125	1.875	6.875	-	-	-

1) With noise reduction [SL] at 100 psi
 2) With cushioning [P] plus 0.214 inch
 3) With noise reduction [SL]: reduction of the stroke length

Dimensions

Dimensions – [MF2] Flange plate, end cap

Download CAD data www.festo.com



[1] += plus stroke length

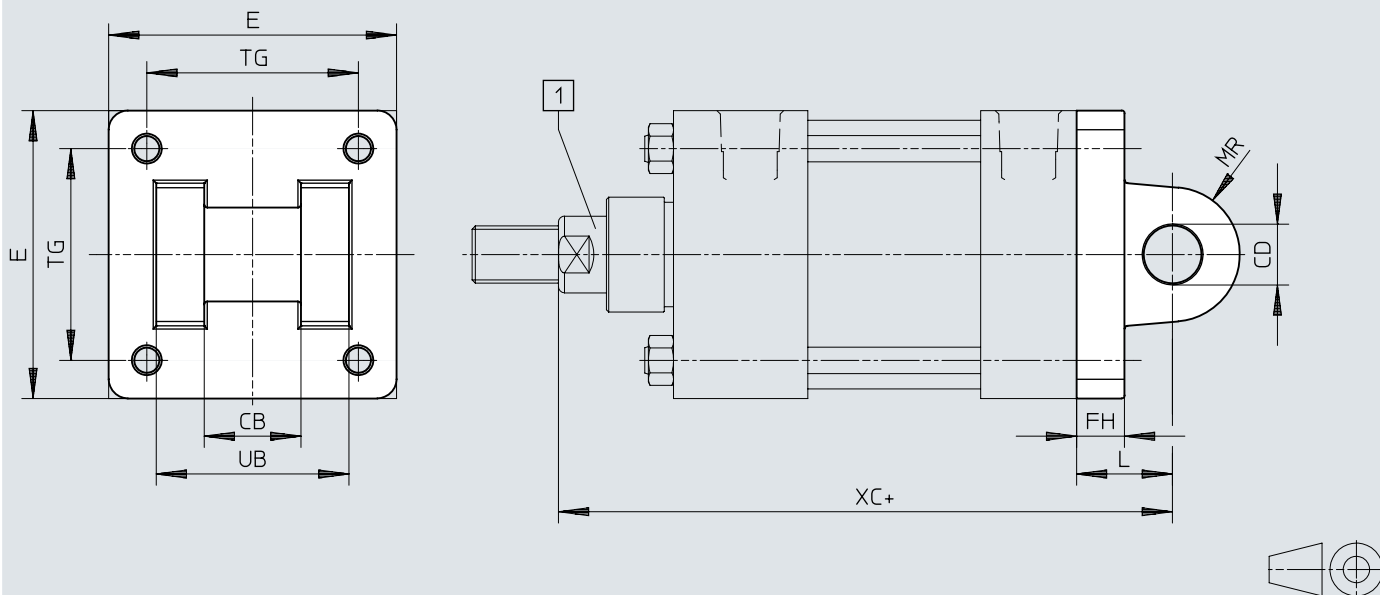
∅	E	FB ∅	MF	RT	TF	TG	UF	WH	ZF ¹⁾²⁾ ±0.05	ZJ ¹⁾²⁾ ±0.05	3)		
											0 psi	80 psi	100 psi
DSNB-N-1 1/2"-...-MF2	2	1/4	0.375	1/4-28 UNF-2B	2.75	1.428	3.375	1	5	4.625	0.106	0	0
DSNB-NR-1 1/2"-...-MF2	2	1/4	0.375	1/4-28 UNF-2B	2.75	1.428	3.375	1.375	5.375	5	0.106	0	0
DSNB-N-2"-...-MF2	2.5	5/16	0.375	5/16-24 UNF-2B	3.375	1.838	4.125	1	5	4.625	0.09	0.018	0
DSNB-NR-2"-...-MF2	2.5	5/16	0.375	5/16-24 UNF-2B	3.375	1.838	4.125	1.375	5.375	5	0.09	0.018	0
DSNB-N-2 1/2"-...-MF2	3	5/16	0.375	5/16-24 UNF-2B	3.875	2.192	4.625	1	5.125	4.75	0.201	0.008	0
DSNB-NR-2 1/2"-...-MF2	3	5/16	0.375	5/16-24 UNF-2B	3.875	2.192	4.625	1.375	5.5	5.125	0.201	0.008	0
DSNB-N-3 1/4"-...-MF2	3.75	3/8	0.625	3/8-24 UNF-2B	4.688	2.758	5.5	1.375	6.25	5.625	0.16	0.038	0
DSNB-NR-3 1/4"-...-MF2	3.75	3/8	0.625	3/8-24 UNF-2B	4.688	2.758	5.5	1.625	6.5	5.875	0.16	0.038	0
DSNB-N-4"-...-MF2	4.5	3/8	0.625	3/8-24 UNF-2B	5.438	3.323	6.25	1.375	6.25	5.625	0.15	0.005	0
DSNB-NR-4"-...-MF2	4.5	3/8	0.625	3/8-24 UNF-2B	5.438	3.323	6.25	1.625	6.5	5.875	0.15	0.005	0
DSNB-N-5"-...-MF2	5.5	1/2	0.625	1/2-20 UNF-2B	6.625	4.101	7.625	1.375	6.5	5.875	0.219	0.015	0
DSNB-NR-5"-...-MF2	5.5	1/2	0.625	1/2-20 UNF-2B	6.625	4.101	7.625	1.625	6.75	6.125	0.219	0.015	0
DSNB-N-6"-...-MF2	6.5	1/2	0.75	1/2-20 UNF-2B	7.625	4.879	8.625	1.625	7.375	6.625	-	-	-
DSNB-NR-6"-...-MF2	6.5	1/2	0.75	1/2-20 UNF-2B	7.625	4.879	8.625	1.875	7.625	6.875	-	-	-

- 1) With noise reduction [SL] at 100 psi
- 2) With cushioning [P] plus 0.214 inch
- 3) With noise reduction [SL]: reduction of the stroke length

Dimensions

Dimensions – [MP1] Swivel bearing

Download CAD data www.festo.com



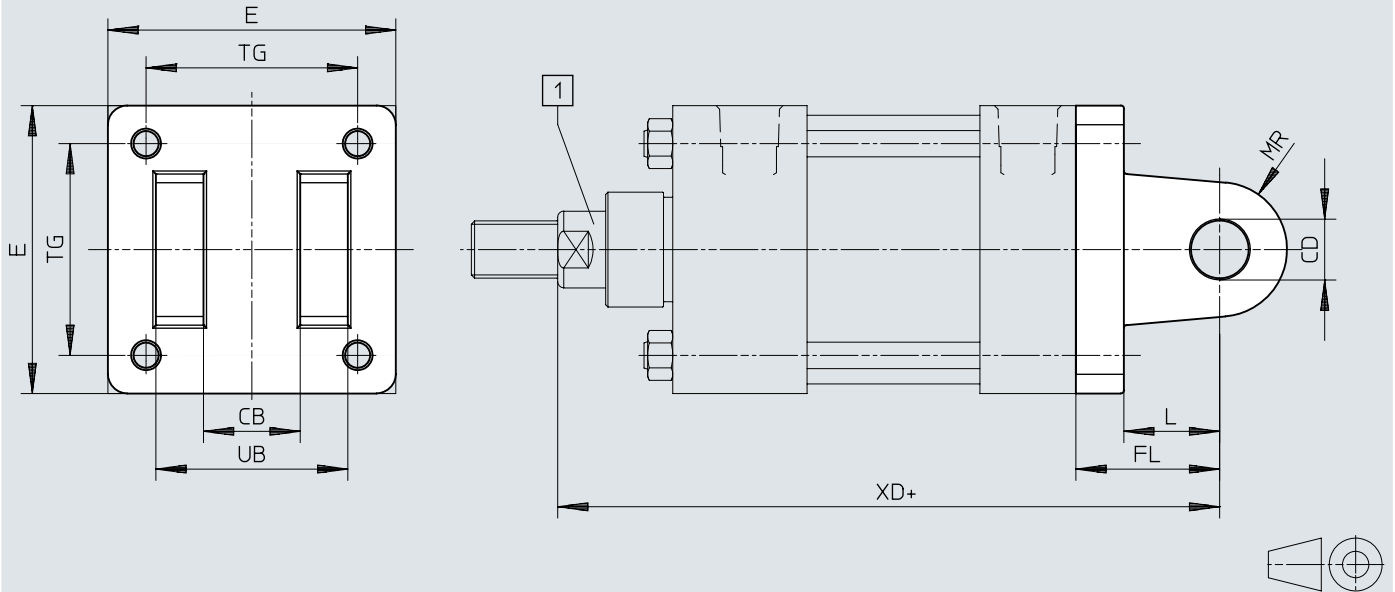
[1] += plus stroke length

ø	[1]	CB	CD ø	E	FH	L	MR ø	TG	UB	XC ¹⁾²⁾ ±0.06	3)		
											0 psi	80 psi	100 psi
DSNB-N-1 1/2"-...-MP1	0.625	0.75	0.5	2	0.375	0.75	1	1.428	1.75	5.375	0.106	0	0
DSNB-NR-1 1/2"-...-MP1	1	0.75	0.5	2	0.375	0.75	1	1.428	1.75	5.75	0.106	0	0
DSNB-N-2"-...-MP1	0.625	0.75	0.5	2.5	0.375	0.75	1	1.838	1.75	5.375	0.09	0.018	0
DSNB-NR-2"-...-MP1	1	0.75	0.5	2.5	0.375	0.75	1	1.838	1.75	5.75	0.09	0.018	0
DSNB-N-2 1/2"-...-MP1	0.625	0.75	0.5	3	0.375	0.75	1	2.192	1.75	5.5	0.201	0.008	0
DSNB-NR-2 1/2"-...-MP1	1	0.75	0.5	3	0.375	0.75	1	2.192	1.75	5.875	0.201	0.008	0
DSNB-N-3 1/4"-...-MP1	1	1.25	0.75	3.75	0.625	1.25	1.5	2.758	2.5	6.875	0.16	0.038	0
DSNB-NR-3 1/4"-...-MP1	1.375	1.25	0.75	3.75	0.625	1.25	1.5	2.758	2.5	7.125	0.16	0.038	0
DSNB-N-4"-...-MP1	1	1.25	0.75	4.5	0.625	1.25	1.5	3.323	2.5	6.875	0.15	0.005	0
DSNB-NR-4"-...-MP1	1.375	1.25	0.75	4.5	0.625	1.25	1.5	3.323	2.5	7.125	0.15	0.005	0
DSNB-N-5"-...-MP1	1	1.25	0.75	5.5	0.625	1.25	1.5	4.101	2.5	7.125	0.219	0.015	0
DSNB-NR-5"-...-MP1	1.375	1.25	0.75	5.5	0.625	1.25	1.5	4.101	2.5	7.375	0.219	0.015	0
DSNB-N-6"-...-MP1	1.375	1.5	1	6.5	0.75	1.5	2	4.879	3	8.125	-	-	-
DSNB-NR-6"-...-MP1	1.75	1.5	1	6.5	0.75	1.5	2	4.879	3	8.375	-	-	-

- 1) With noise reduction [SL] at 100 psi
- 2) With cushioning [P] plus 0.214 inch
- 3) With noise reduction [SL]: reduction of the stroke length

Dimensions

Dimensions – [MP2] Swivel mounting

Download CAD data www.festo.com

[1] += plus stroke length

∅	[1] ∅	CB	CD ∅	E	FL	L	MR	TG	UB	XD ¹⁾²⁾ ±0.06	3)		
											0 psi	80 psi	100 psi
DSNB-N-1 1/2"-...-MP2	0.625	0.75	0.5	2	1.125	0.75	1	1.428	1.75	5.75	0.106	0	0
DSNB-NR-1 1/2"-...-MP2	1	0.75	0.5	2	1.125	0.75	1	1.428	1.75	6.125	0.106	0	0
DSNB-N-2"-...-MP2	0.625	0.75	0.5	2.5	1.125	0.75	1	1.838	1.75	5.75	0.09	0.018	0
DSNB-NR-2"-...-MP2	1	0.75	0.5	2.5	1.125	0.75	1	1.838	1.75	6.125	0.09	0.018	0
DSNB-N-2 1/2"-...-MP2	0.625	0.75	0.5	3	1.125	0.75	1	2.192	1.75	5.875	0.201	0.008	0
DSNB-NR-2 1/2"-...-MP2	1	0.75	0.5	3	1.125	0.75	1	2.192	1.75	6.25	0.201	0.008	0
DSNB-N-3 1/4"-...-MP2	1	1.25	0.75	3.75	1.875	1.25	1.5	2.758	2.5	7.5	0.16	0.038	0
DSNB-NR-3 1/4"-...-MP2	1.375	1.25	0.75	3.75	1.875	1.25	1.5	2.758	2.5	7.75	0.16	0.038	0
DSNB-N-4"-...-MP2	1	1.25	0.75	4.5	1.875	1.25	1.5	3.323	2.5	7.5	0.15	0.005	0
DSNB-NR-4"-...-MP2	1.375	1.25	0.75	4.5	1.875	1.25	1.5	3.323	2.5	7.75	0.15	0.005	0
DSNB-N-5"-...-MP2	1	1.25	0.75	5.5	1.875	1.25	1.5	4.101	2.5	7.75	0.219	0.015	0
DSNB-NR-5"-...-MP2	1.375	1.25	0.75	5.5	1.875	1.25	1.5	4.101	2.5	8	0.219	0.015	0
DSNB-N-6"-...-MP2	1.375	1.5	1	6.5	2.25	1.5	2	4.879	3	8.875	-	-	-
DSNB-NR-6"-...-MP2	1.75	1.5	1	6.5	2.25	1.5	2	4.879	3	9.125	-	-	-

1) With noise reduction [SL] at 100 psi

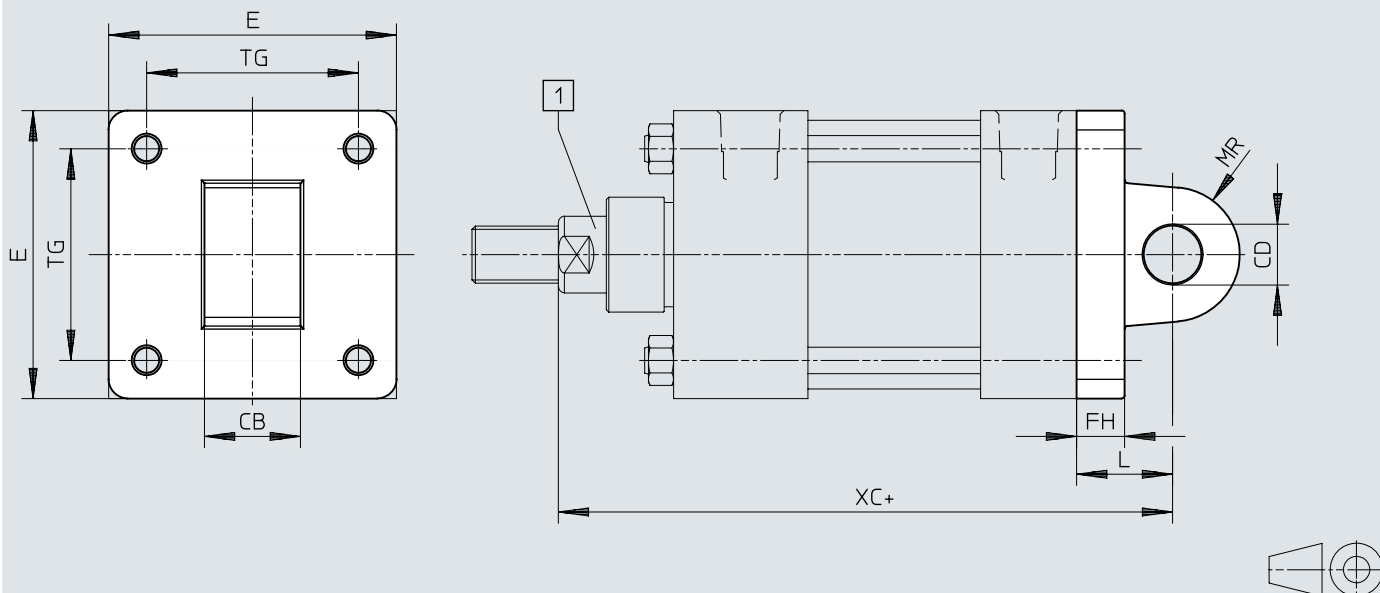
2) With cushioning [P] plus 0.214 inch

3) With noise reduction [SL]: reduction of the stroke length

Dimensions

Dimensions – [MP3] Swivelling rod eye mounting in the end cap

Download CAD data www.festo.com



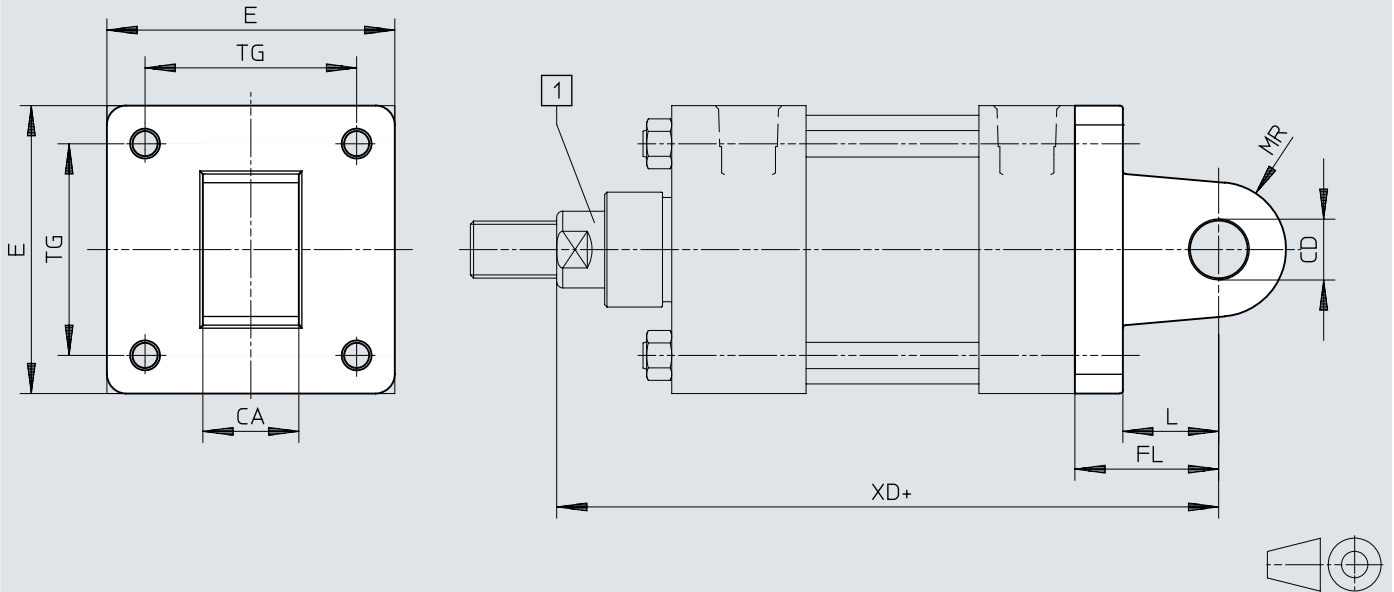
[1] += plus stroke length

ø	[1] ø	CB	CD ø	E	FH	L	MR	TG	XC ¹⁾²⁾ ±0.06	3)		
										0 psi	80 psi	100 psi
DSNB-N-1 1/2"-...-MP3	0.625	0.75	0.5	2	0.375	0.75	1	1.428	5.375	0.106	0	0
DSNB-NR-1 1/2"-...-MP3	1	0.75	0.5	2	0.375	0.75	1	1.428	5.75	0.106	0	0
DSNB-N-2"-...-MP3	0.625	0.75	0.5	2.5	0.375	0.75	1	1.838	5.375	0.09	0.018	0
DSNB-NR-2"-...-MP3	1	0.75	0.5	2.5	0.375	0.75	1	1.838	5.75	0.09	0.018	0
DSNB-N-2 1/2"-...-MP3	0.625	0.75	0.5	3	0.375	0.75	1	2.192	5.5	0.201	0.008	0
DSNB-NR-2 1/2"-...-MP3	1	0.75	0.5	3	0.375	0.75	1	2.192	5.875	0.201	0.008	0
DSNB-N-3 1/4"-...-MP3	1	1.25	0.75	3.75	0.625	1.25	1.5	2.758	6.875	0.16	0.038	0
DSNB-NR-3 1/4"-...-MP3	1.375	1.25	0.75	3.75	0.625	1.25	1.5	2.758	7.125	0.16	0.038	0
DSNB-N-4"-...-MP3	1	1.25	0.75	4.5	0.625	1.25	1.5	3.323	6.875	0.15	0.005	0
DSNB-NR-4"-...-MP3	1.375	1.25	0.75	4.5	0.625	1.25	1.5	3.323	7.125	0.15	0.005	0
DSNB-N-5"-...-MP3	1	1.25	0.75	5.5	0.625	1.25	1.5	4.101	7.125	0.219	0.015	0
DSNB-NR-5"-...-MP3	1.375	1.25	0.75	5.5	0.625	1.25	1.5	4.101	7.375	0.219	0.015	0
DSNB-N-6"-...-MP3	1.375	1.5	1	6.5	0.75	1.5	2	4.879	8.125	-	-	-
DSNB-NR-6"-...-MP3	1.75	1.5	1	6.5	0.75	1.5	2	4.879	8.375	-	-	-

- 1) With noise reduction [SL] at 100 psi
- 2) With cushioning [P] plus 0.214 inch
- 3) With noise reduction [SL]: reduction of the stroke length

Dimensions

Dimensions – [MP4] Swivelling rod eye mounting

Download CAD data www.festo.com

[1] += plus stroke length

∅	[1] ∅	CA	CD ∅	E	FL	L	MR	TG	XD ¹⁾²⁾ ±0.06	3)		
										0 psi	80 psi	100 psi
DSNB-N-1 1/2"-...-MP4	0.625	0.75	0.5	2	1.125	0.75	1	1.428	5.75	0.106	0	0
DSNB-NR-1 1/2"-...-MP4	1	0.75	0.5	2	1.125	0.75	1	1.428	6.125	0.106	0	0
DSNB-N-2"-...-MP4	0.625	0.75	0.5	2.5	1.125	0.75	1	1.838	5.75	0.09	0.018	0
DSNB-NR-2"-...-MP4	1	0.75	0.5	2.5	1.125	0.75	1	1.838	6.125	0.09	0.018	0
DSNB-N-2 1/2"-...-MP4	0.625	0.75	0.5	3	1.125	0.75	1	2.192	5.875	0.201	0.008	0
DSNB-NR-2 1/2"-...-MP4	1	0.75	0.5	3	1.125	0.75	1	2.192	6.25	0.201	0.008	0
DSNB-N-3 1/4"-...-MP4	1	1.25	0.75	3.75	1.875	1.25	1.5	2.758	7.5	0.16	0.038	0
DSNB-NR-3 1/4"-...-MP4	1.375	1.25	0.75	3.75	1.875	1.25	1.5	2.758	7.75	0.16	0.038	0
DSNB-N-4"-...-MP4	1	1.25	0.75	4.5	1.875	1.25	1.5	3.323	7.5	0.15	0.005	0
DSNB-NR-4"-...-MP4	1.375	1.25	0.75	4.5	1.875	1.25	1.5	3.323	7.75	0.15	0.005	0
DSNB-N-5"-...-MP4	1	1.25	0.75	5.5	1.875	1.25	1.5	4.101	7.75	0.219	0.015	0
DSNB-NR-5"-...-MP4	1.375	1.25	0.75	5.5	1.875	1.25	1.5	4.101	8	0.219	0.015	0
DSNB-N-6"-...-MP4	1.375	1.5	1	6.5	2.25	1.5	2	4.879	8.875	-	-	-
DSNB-NR-6"-...-MP4	1.75	1.5	1	6.5	2.25	1.5	2	4.879	9.125	-	-	-

1) With noise reduction [SL] at 100 psi

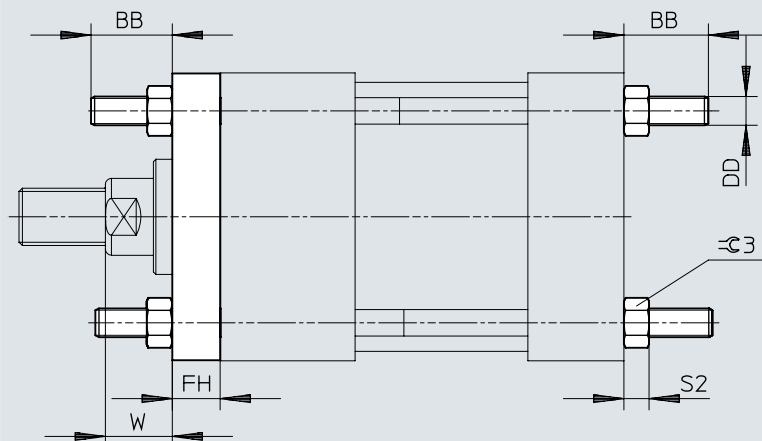
2) With cushioning [P] plus 0.214 inch

3) With noise reduction [SL]: reduction of the stroke length

Dimensions

Dimensions – [MX1] Threaded rods at both ends

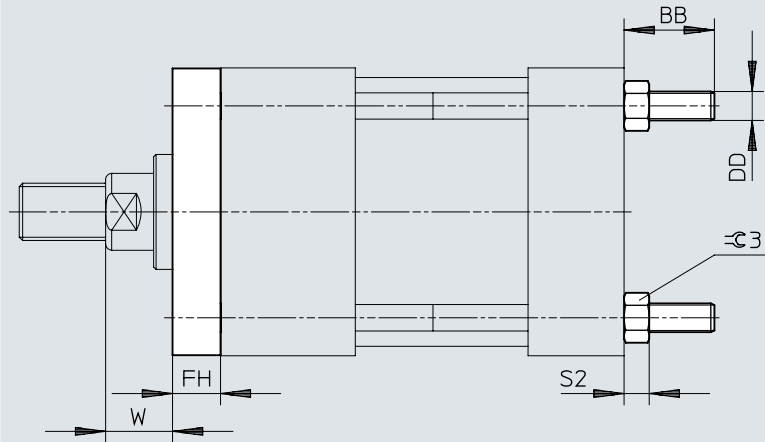
Download CAD data www.festo.com



∅	BB	DD ∅	FH	S2	W	3
DSNB-N-1 1/2"-...-MX1	1	1/4-28 UNF-2A	0.375	0.218	0.625	0.438
DSNB-NR-1 1/2"-...-MX1	1	1/4-28 UNF-2A	0.375	0.218	1	0.438
DSNB-N-2"-...-MX1	1.125	5/6-24 UNF-2A	0.375	0.265	0.625	0.5
DSNB-NR-2"-...-MX1	1.125	5/6-24 UNF-2A	0.375	0.265	1	0.5
DSNB-N-2 1/2"-...-MX1	1.125	5/6-24 UNF-2A	0.375	0.265	0.625	0.5
DSNB-NR-2 1/2"-...-MX1	1.125	5/6-24 UNF-2A	0.375	0.265	1	0.5
DSNB-N-3 1/4"-...-MX1	1.375	3/8-24 UNF-2A	0.625	0.328	0.75	0.563
DSNB-NR-3 1/4"-...-MX1	1.375	3/8-24 UNF-2A	0.625	0.328	1	0.563
DSNB-N-4"-...-MX1	1.375	3/8-24 UNF-2A	0.625	0.328	0.75	0.563
DSNB-NR-4"-...-MX1	1.375	3/8-24 UNF-2A	0.625	0.328	1	0.563
DSNB-N-5"-...-MX1	1.813	1/2-20 UNF-2A	0.625	0.438	0.75	0.75
DSNB-NR-5"-...-MX1	1.813	1/2-20 UNF-2A	0.625	0.438	1	0.75
DSNB-N-6"-...-MX1	1.813	1/2-20 UNF-2A	0.75	0.438	0.875	0.75
DSNB-NR-6"-...-MX1	1.813	1/2-20 UNF-2A	0.75	0.438	1.125	0.75

Dimensions

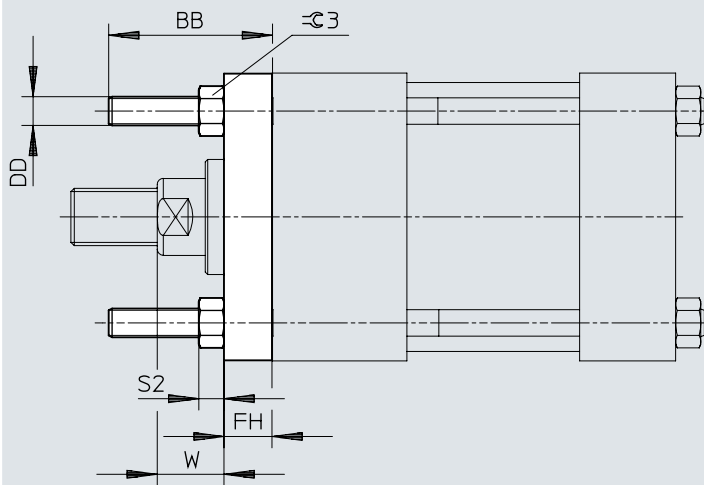
Dimensions – [MX2] Threaded rods, end cap

Download CAD data www.festo.com

∅	BB	DD ∅	FH	S2	W	±0.3
DSNB-N-1 1/2"-...-MX2	1	1/4-28 UNF-2A	0.375	0.218	0.625	0.438
DSNB-NR-1 1/2"-...-MX2	1	1/4-28 UNF-2A	0.375	0.218	1	0.438
DSNB-N-2"-...-MX2	1.125	5/6-24 UNF-2A	0.375	0.265	0.625	0.5
DSNB-NR-2"-...-MX2	1.125	5/6-24 UNF-2A	0.375	0.265	1	0.5
DSNB-N-2 1/2"-...-MX2	1.125	5/6-24 UNF-2A	0.375	0.265	0.625	0.5
DSNB-NR-2 1/2"-...-MX2	1.125	5/6-24 UNF-2A	0.375	0.265	1	0.5
DSNB-N-3 1/4"-...-MX2	1.375	3/8-24 UNF-2A	0.625	0.328	0.75	0.563
DSNB-NR-3 1/4"-...-MX2	1.375	3/8-24 UNF-2A	0.625	0.328	1	0.563
DSNB-N-4"-...-MX2	1.375	3/8-24 UNF-2A	0.625	0.328	0.75	0.563
DSNB-NR-4"-...-MX2	1.375	3/8-24 UNF-2A	0.625	0.328	1	0.563
DSNB-N-5"-...-MX2	1.813	1/2-20 UNF-2A	0.625	0.438	0.75	0.75
DSNB-NR-5"-...-MX2	1.813	1/2-20 UNF-2A	0.625	0.438	1	0.75
DSNB-N-6"-...-MX2	1.813	1/2-20 UNF-2A	0.75	0.438	0.875	0.75
DSNB-NR-6"-...-MX2	1.813	1/2-20 UNF-2A	0.75	0.438	1.125	0.75

Dimensions

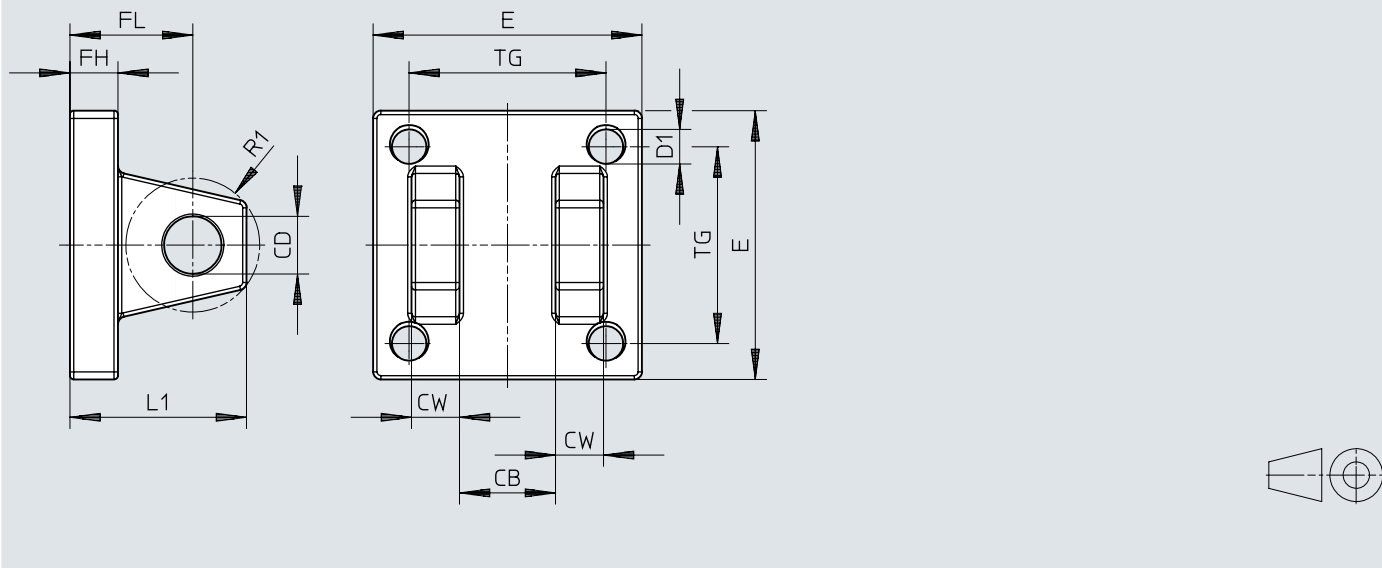
Dimensions – [MX3] Threaded rods, bearing cap

Download CAD data www.festo.com

∅	BB	DD ∅	FH	S2	W	±0.3
DSNB-N-1 1/2"-...-MX3	1	1/4-28 UNF-2A	0.375	0.218	0.625	0.438
DSNB-NR-1 1/2"-...-MX3	1	1/4-28 UNF-2A	0.375	0.218	1	0.438
DSNB-N-2"-...-MX3	1.125	5/16-24 UNF-2A	0.375	0.265	0.625	0.5
DSNB-NR-2"-...-MX3	1.125	5/16-24 UNF-2A	0.375	0.265	1	0.5
DSNB-N-2 1/2"-...-MX3	1.125	5/16-24 UNF-2A	0.375	0.265	0.625	0.5
DSNB-NR-2 1/2"-...-MX3	1.125	5/16-24 UNF-2A	0.375	0.265	1	0.5
DSNB-N-3 1/4"-...-MX3	1.375	3/8-24 UNF-2A	0.625	0.328	0.75	0.563
DSNB-NR-3 1/4"-...-MX3	1.375	3/8-24 UNF-2A	0.625	0.328	1	0.563
DSNB-N-4"-...-MX3	1.375	3/8-24 UNF-2A	0.625	0.328	0.75	0.563
DSNB-NR-4"-...-MX3	1.375	3/8-24 UNF-2A	0.625	0.328	1	0.563
DSNB-N-5"-...-MX3	1.813	1/2-20 UNF-2A	0.625	0.438	0.75	0.75
DSNB-NR-5"-...-MX3	1.813	1/2-20 UNF-2A	0.625	0.438	1	0.75
DSNB-N-6"-...-MX3	1.813	1/2-20 UNF-2A	0.75	0.438	0.875	0.75
DSNB-NR-6"-...-MX3	1.813	1/2-20 UNF-2A	0.75	0.438	1.125	0.75

Dimensions

Dimensions – Swivel mounting DAMC-C7-...-D

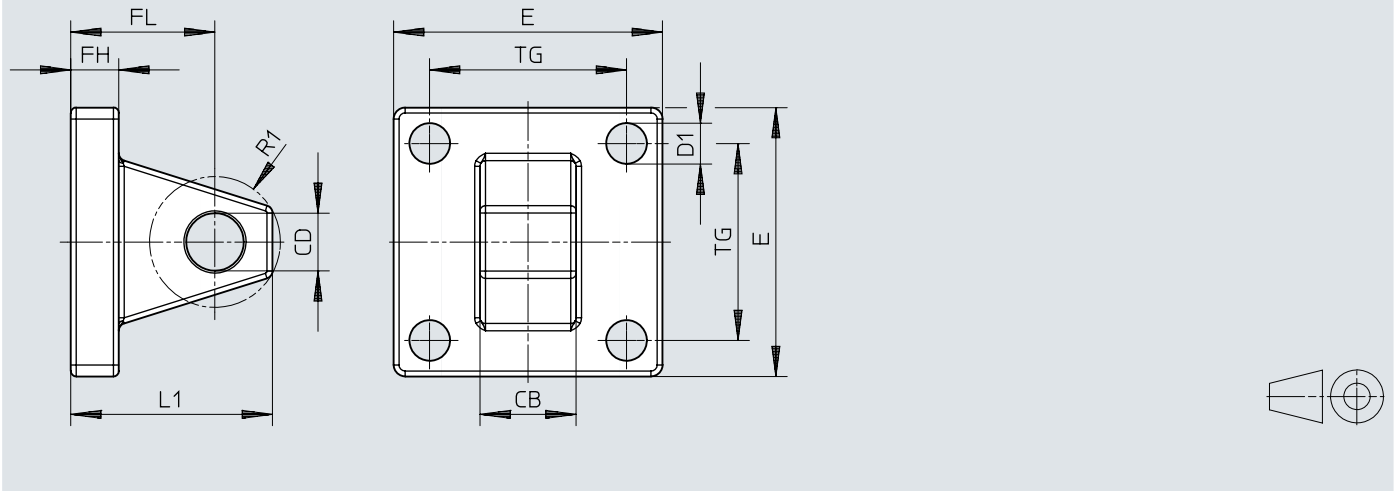
Download CAD data www.festo.com

DSNB	DAMC-C7-...-D	CB	CD ∅	CW	D1	E	FH	FL	L1	R1	TG
1 1/2"	DAMC-C7-1 1/2"-D	0.75	0.5	0.5	3/8-24 UNF-2B	2.5	0.375	1.125	0.625	0.5	1.625
3 1/4"	DAMC-C7-3 1/4"-D	1.25	0.75	0.625	1/2-20 UNF-2B	3.5	0.625	1.875	2.625	1.063	2.563
6"	DAMC-C7-6"-D	1.5	1	0.75	5/8-18 UNF-2B	4.5	0.75	2.25	3.25	1.25	3.25

Dimensions

Dimensions – Swivel mounting DAMC-C7-...-C

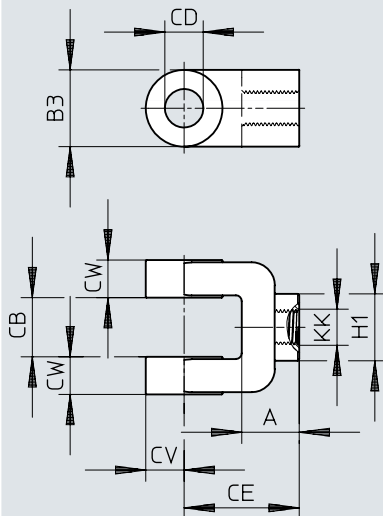
Download CAD data www.festo.com



DSNB	DAMC-C7-...-C	CB	CD ∅	D1	E	FH	FL	L1	R1	TG
1 1/2"	DAMC-C7-1 1/2"-C	0.75	0.5	0.406	2.5	0.375	1.125	1.625	0.75	1.625
3 1/4"	DAMC-C7-3 1/4"-C	1.25	0.75	0.531	3.5	0.625	1.875	2.625	1.25	2.563
6"	DAMC-C7-6"-C	1.5	1	0.656	4.5	0.75	2.25	3.25	1.5	3.25

Dimensions

Dimensions – Rod clevis DARC-C7-U...

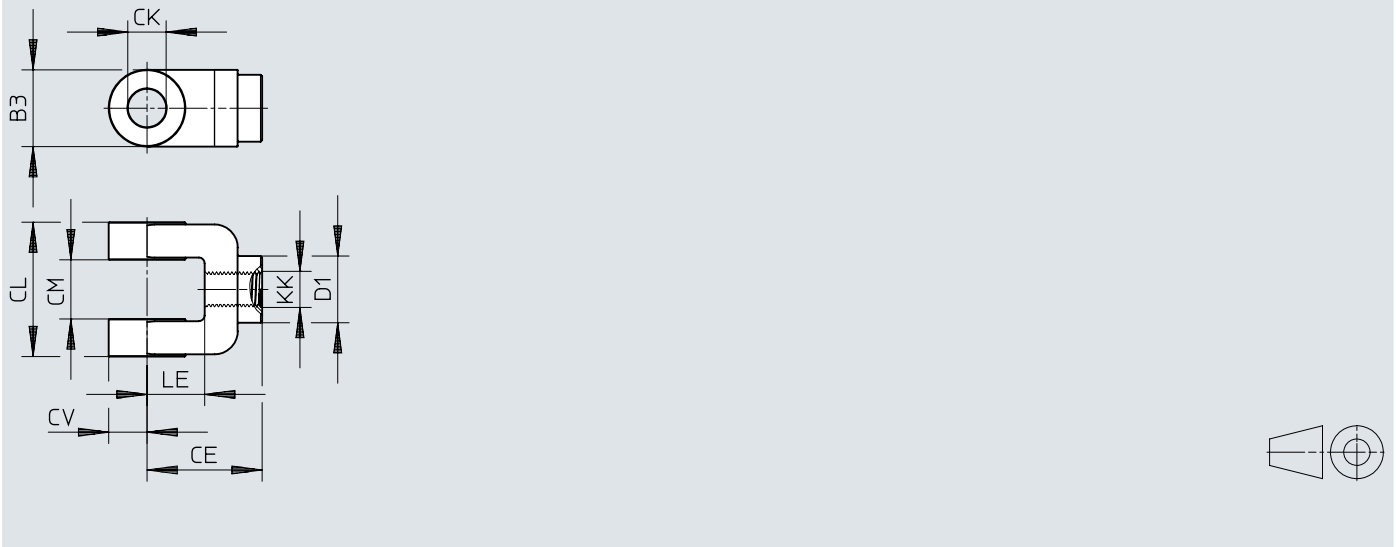
Download CAD data www.festo.com

DSNB	DARC-C7-U...	A	B3	CB	CD ∅	CE	CV	CW	H1	KK
1 1/2"	DARC-C7-U12	0.75	1	0.75	0.5	1.5	0.5	0.5	1	1/2-20 UNF-2B
2"										
2 1/2"										
1 1/2"	DARC-C7-U78	1.625	2	1.5	1	3.125	1	0.75	1.5	7/8-14 UNF-2B
2"										
2 1/2"										
3 1/4"										
4"										
5"										
3 1/4"	DARC-C7-U1	1.625	2	1.5	1	3.125	1	0.75	1.5	1-14 UNS-2B
4"										
5"										
6"	DARC-C7-U114	2	2.75	2	1.375	4.125	1.375	1	2	1 1/4-12 UNF-2B
3 1/4"										
4"										
5"										
6"	DARC-C7-U112	2.25	3.5	2.5	1.75	4.5	1.75	1.25	2.375	1 1/2-12 UNF-2B

Dimensions

Dimensions – Rod clevis DARC-C7-U...

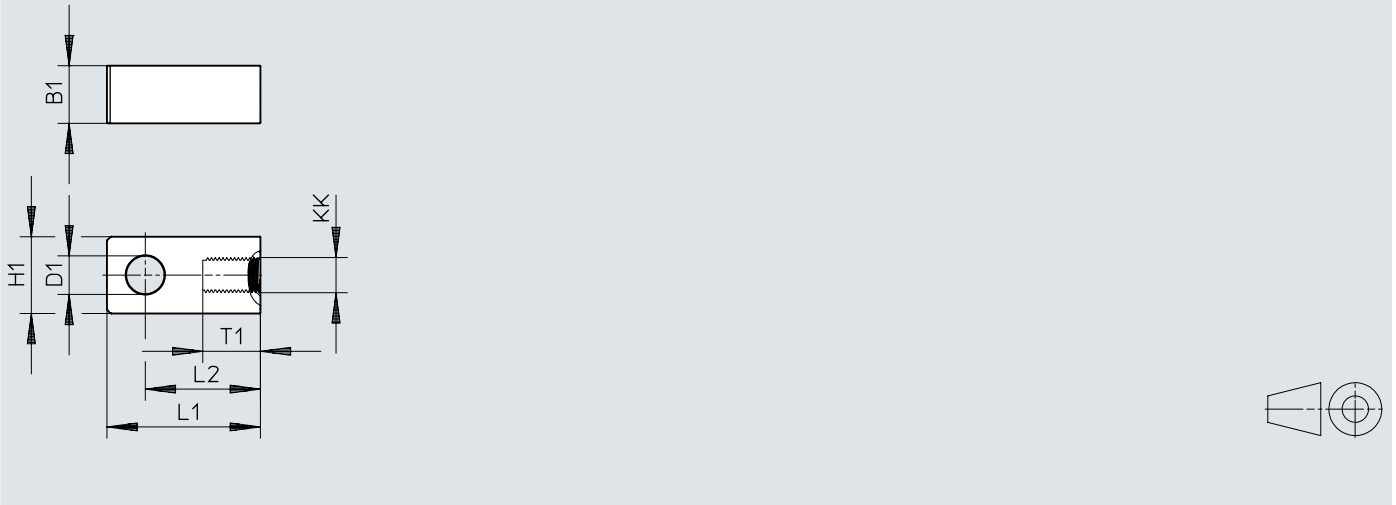
Download CAD data www.festo.com



DSNB	DARC-C7-U...	B3	CE	CK ø	CL	CM	CV	D1 ø	KK	LE
1 1/2"	DARC-C7-U716	1	1.5	0.5	1.75	0.77	0.5	0.87	7/16-20 UNF-2B	0.75
2"										
2 1/2"										
1 1/2"	DARC-C7-U34	1.5	2.38	0.75	2.5	1.27	0.75	1.34	3/4-16 UNF-2B	1.25
2"										
2 1/2"										
3 1/4"										
4"										
5"										

Dimensions

Dimensions – Rod eye DARC-C7B-U...

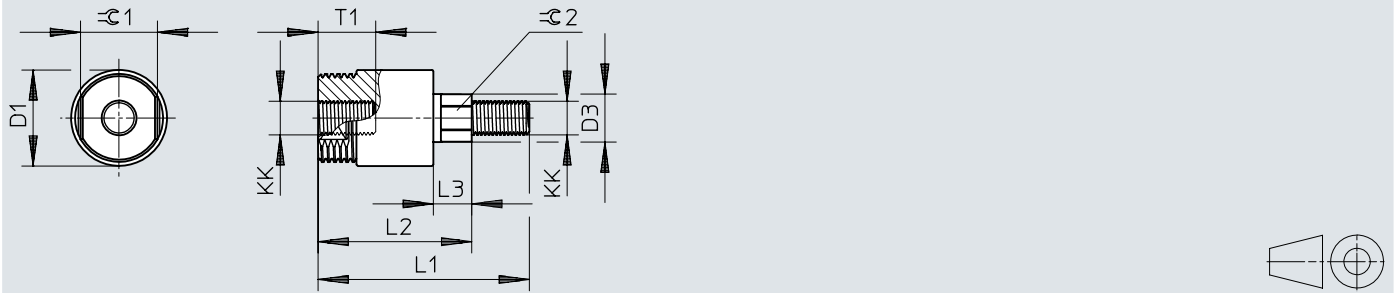
Download CAD data www.festo.com

DSNB	DARC-C7B-U...	B1	D1 ∅	H1	KK	L1	L2	T1
1 1/2"	DARC-C7B-U716	0.75	0.5	1	7/16-20 UNF-2B	2	1.5	0.75
2"								
2 1/2"								
1 1/2"	DARC-C7B-U34	1.25	0.75	1.5	3/4-16 UNF-2B	2.81	2.06	1.13
2"								
2 1/4"								
3 1/4"								
4"								
5"								
1 1/2"	DARC-C7B-U12	0.75	0.5	1	1/2-20 UNF-2B	2	1.5	0.75
2"								
2 1/2"								
3 1/4"	DARC-C7B-U1	1.5	1	1	1-14 UNS-2B	3.813	2.813	1.625
4"								
5"								
6"								
3 1/4"								
4"	DARC-C7B-U114	2	1.375	2.75	1 1/4-12 UNF-2B	4.813	3.438	2
5"								
6"								
6"	DARC-C7B-U112	2.5	1.75	3.5	1 1/2-12 UNF-2B	5.75	4	2.25

Dimensions

Dimensions – Self-aligning rod coupler DARP-C7-U...-F

Download CAD data www.festo.com

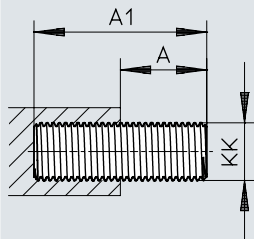


DSNB	DARP-C7-U...-F	D1 ∅	D3 ∅	KK	L1	L2	L3	T1	$\approx C1$	$\approx C2$
1 1/2"	DARP-C7-U716-F	1.25	0.63	7/16-20 UNF-2B	2.75	2	0.5	0.75	1	0.5
2"										
2 1/2"										
1 1/2"	DARP-C7-U34-F	1.75	0.97	3/4-16 UNF-2B	3.48	2.35	0.5	1.13	1.5	0.81
2"										
2 1/2"										
3 1/4"										
4"										
5"										
1 1/2"	DARP-C7-U12-F	1.25	0.63	1/2-20 UNF-2B	2.75	2	0.5	0.75	1	0.5
2"										
2 1/2"										
1 1/2"	DARP-C7-U78-F	1.75	0.97	7/18-14 UNF-2B	3.44	2.31	0.5	1.13	1.5	0.81
2"										
2 1/2"										
3 1/4"										
4"										
5"										
3 1/4"	DARP-C7-U1-F	2.5	1.38	1-14 UNS-2B	4.57	2.94	0.5	1.63	2.25	1.16
4"										
5"										
6"										
3 1/4"	DARP-C7-U114-F	2.5	1.38	1 1/4-12 UNF-2B	4.57	2.94	0.5	1.63	2.25	1.16
4"										
5"										
6"	DARP-C7-U112-F	3.25	1.75	1 1/2-12 UNF-2B	6.63	4.38	0.81	2.25	3	1.5

Dimensions

Dimensions – Threaded bolt DARA-U...-M

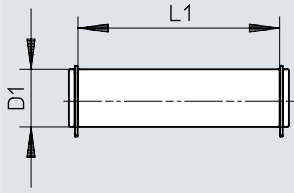
Download CAD data www.festo.com



DSNB	DARA-U...-M	A	A1	KK
1 1/2"	DARA-U716-M	0.75	1.5	7/16-20 UNF-2A
2"				
2 1/2"				
1 1/2"	DARA-U34-M	1.13	2.25	3/4-16 UNF-2A
2"				
2 1/2"				
3 1/4"				
4"				
5"	DARA-U1-M	1.63	3.25	1-14 UNS-2A
3 1/4"				
4"				
5"				
6"	DARA-U114-M	2	4	1 1/4-12 UNF-2A
3 1/4"				
4"				
5"				
6"				

Dimensions

Dimensions – Pivot pin DADG-B-C7-...-AS

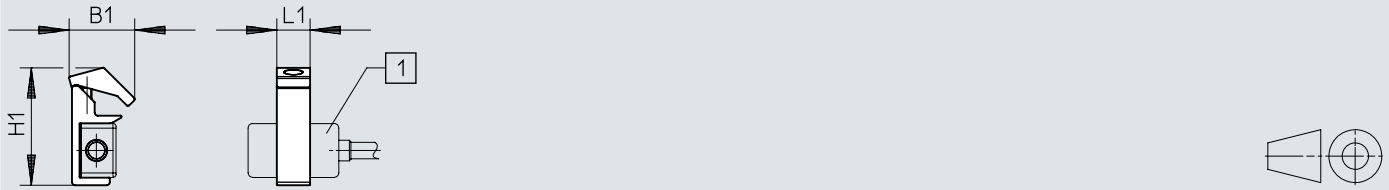
Download CAD data www.festo.com

DSNB	DADG-B-C7-...-AS	D1 ∅	L1
1 1/2"	DADG-B-C7-1/2"-AS	0.5	1.875
2"			
2 1/2"			
3 1/4"	DADG-B-C7-3/4"-AS	0.75	2.625
4"			
6"	DADG-B-C7-1"-AS	1	3.125
– 1)	DADG-B-C7-1 3/8"-AS	1.375	4.125
– 2)	DADG-B-C7-1 3/4"-AS	1.75	5.125

- 1) No direct mounting on cylinder DSNB possible. Pivot pin DADG-B-C7-1 3/8"-AS for mounting on rod clevis DARC-C7-U114 and rod eye DARC-C7B-U114.
 2) No direct mounting on cylinder DSNB possible. Pivot pin DADG-B-C7-1 3/4"-AS for mounting on rod clevis DARC-C7-U112 and rod eye DARC-C7B-U112.

Dimensions


Dimensions – Sensor holder SAMH-FC-SH

Download CAD data www.festo.com

[1] Proximity switch SDBF-FCS-1L...

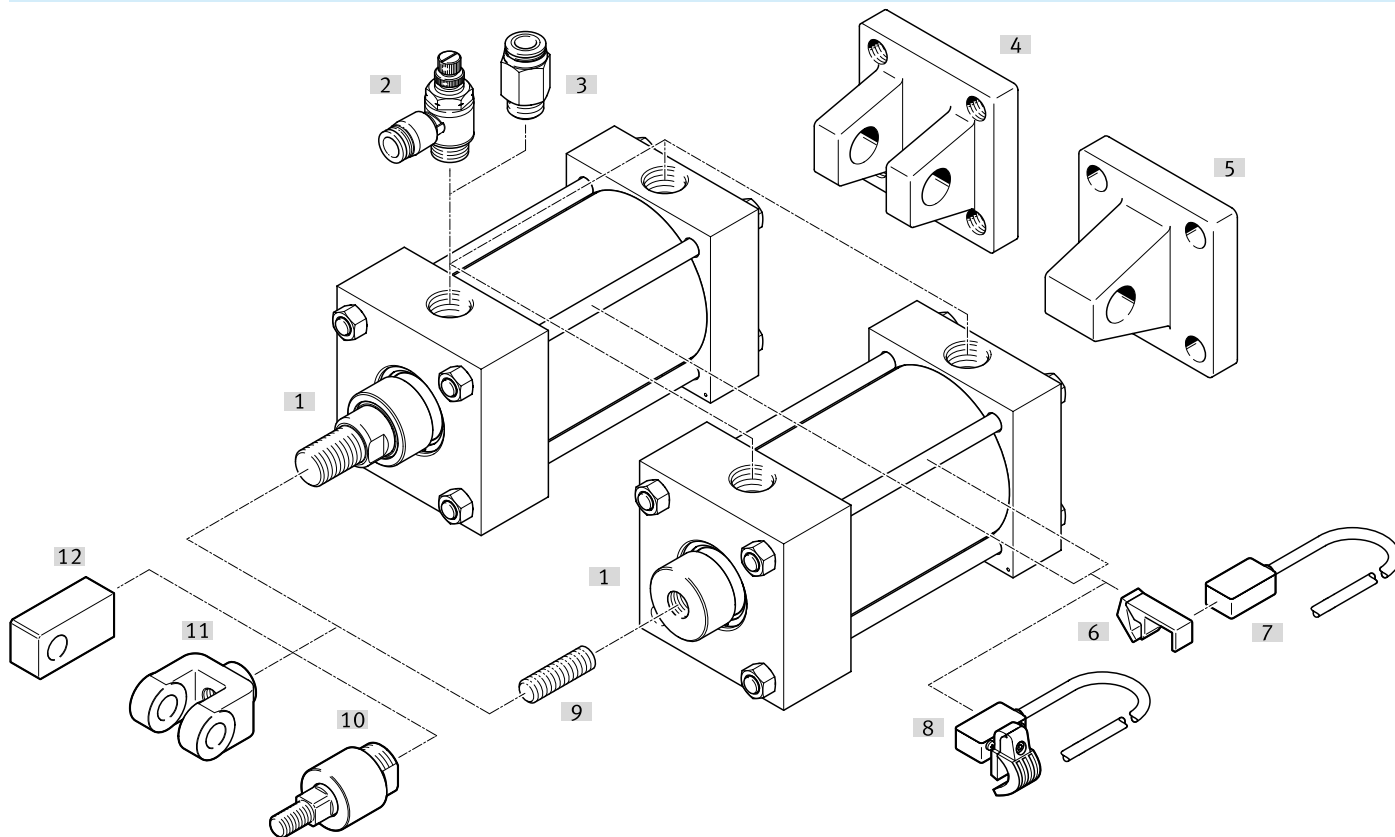
DSNB	SAMH-FC-SH	B1	H1	L1
1 1/2"	SAMH-FC-SH	0.75	1.3	0.43
2"				
2 1/2"				
3 1/4"				
4"				

Ordering data

Ordering information – Modular product system				
	Piston diameter	Mode of operation	Part no.	Type
	1 1/2"	Double-acting	8161111	DSNB-N-...-1 1/2"- -
	2"		8161112	DSNB-N-...-2"- -
	2 1/2"		8161113	DSNB-N-...-2 1/2"- -
	3 1/4"		8161114	DSNB-N-...-3 1/4"- -
	4"		8161115	DSNB-N-...-4"- -
	5"		8161116	DSNB-N-...-5"- -
	6"		8161117	DSNB-N-...-6"- -

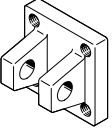
Peripherals

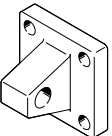
Peripherals overview

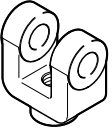


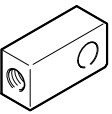
Accessories			→ Link
Type/order code	Description		
[1] Standards-based cylinder, inch DSNB	Conforms to standard NFPA/T3.6.7		dsnb
[2] One-way flow control valve GRLA-...	For speed regulation		48
[3] Push-in fitting QB-.../QBL-...	For connecting tubing with standard O.D.		49
[4] Swivel mounting DAMC-C7-...-D	For rod eye		46
[5] Swivel mounting DAMC-C7-...-C	For rod clevis		46
[6] Mounting kit SAMH-FC-SH	For proximity switch SDBF-FCS		47
[7] Proximity switch SDBF-FCS-1L-...	Can be integrated in mounting kit SAMH-FC-SH		47
[8] Proximity switch SDBF-FDS-1L-...	Can be integrated into the cylinder profile		48
[9] Threaded bolt DARA-U...-M	For rod clevis, rod eye and self-aligning rod coupler		46
[10] Flexo coupling DARP-C7-U...-F	For connecting to the piston rod		46
[11] Rod clevis DARC-C7-U...	Allows a swivelling movement in one plane		46
[12] Rod eye DARC-C7B-U...	Allows a swivelling movement in one plane		46

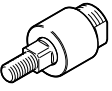
Accessories


Swivel mounting DAMC-C7-...-D					
	Description	Material swivel mounting	Note on materials	Part no.	Type
	For Ø 1 1/2" ... 6"	Cast steel	RoHS-compliant	8161159	DAMC-C7-6"-D

Swivel mounting DAMC-C7-...-C					
	Description	Material swivel mounting	Note on materials	Part no.	Type
	For Ø 1 1/2" ... 6"	Painted cast steel	RoHS-compliant	8161160	DAMC-C7-6"-C

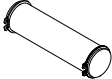
Rod clevis DARC-C7-U...					
	Description	Material rod clevis	Note on materials	Part no.	Type
	For Ø 1 1/2" ... 5"	Painted cast steel	RoHS-compliant	8117049	DARC-C7-U34
				8161119	DARC-C7-U78
	For Ø 1 1/2" ... 2 1/2"			8117048	DARC-C7-U716
				8161118	DARC-C7-U12
	For Ø 3 1/4" ... 6"			8161121	DARC-C7-U114
	For Ø 6"	8161120	DARC-C7-U1		
		8161122	DARC-C7-U112		

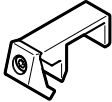
Rod eye DARC-C7B-U...					
	Description	Material rod eye	Note on materials	Part no.	Type
	For Ø 1 1/2" ... 2 1/2"	Nickel-plated steel	RoHS-compliant	8161161	DARC-C7B-U12
	For Ø 3 1/4" ... 6"			8161163	DARC-C7B-U114
				8161162	DARC-C7B-U1
	For Ø 6"			8161164	DARC-C7B-U112

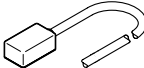
Self-aligning rod coupler DARP-C7-U...-F					
	Description	Material housing	Note on materials	Part no.	Type
	For Ø 1 1/2" ... 5"	Steel, oxidised	RoHS-compliant	8161155	DARP-C7-U78-F
	For Ø 1 1/2" ... 2 1/2"			8161154	DARP-C7-U12-F
	For Ø 3 1/4" ... 6"			8161157	DARP-C7-U114-F
				8161156	DARP-C7-U1-F
	For Ø 6"			8161158	DARP-C7-U112-F

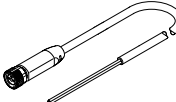
Threaded bolt DARA-U...-M					
	Description	Material threaded bolt	Note on materials	Part no.	Type
	For Ø 1 1/2" ... 5"	Steel	RoHS-compliant	8148954	DARA-U34-M
	For Ø 1 1/2" ... 2 1/2"			8148953	DARA-U716-M
	For Ø 3 1/4" ... 6"			8161165	DARA-U1-M
				8161166	DARA-U114-M

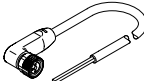
Accessories

Pivot pin DADG-B-C7-...-AS						
	Description	Material bolt	Note on materials	Part no.	Type	
	For Ø 1 1/2" ... 2 1/2"	Steel	RoHS-compliant	8148951	DADG-B-C7-1/2"-AS	
	For Ø 3 1/4" ... 4"			8148952	DADG-B-C7-3/4"-AS	
	For Ø 6"			8161171	DADG-B-C7-1"-AS	
	For DARC-C7-U112/ DARC-C7B-U112			8161173	DADG-B-C7-1 3/4"-AS	
	For DARC-C7-U114/ DARC-C7B-U114			8161172	DADG-B-C7-1 3/8"-AS	

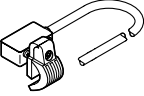
Sensor holder SAMH-FC-SH						
	Description	Material mounting	Note on materials	Part no.	Type	
	For Ø 1 1/2" ... 4"	Steel	RoHS-compliant	8117067	SAMH-FC-SH	

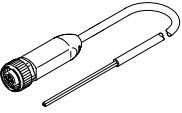
Proximity switch SDBF-FCS-1L-... Link sdbf							
	Description	Type of mounting	Switching output	Electrical connection 1, connector system	Electrical connection 1, number of connections/cores	Part no.	Type
	For Ø 1 1/2" ... 4"	Via mounting kit	NPN	M8x1, A-coded, to EN 61076-2-104	3	8117066	SDBF-FCS-1L-NU-K-N-M8
				Open end		8117063	SDBF-FCS-1L-NU-K-9-N-LE
			PNP	M8x1, A-coded, to EN 61076-2-104		8117065	SDBF-FCS-1L-PU-K-N-M8
				Open end		8117062	SDBF-FCS-1L-PU-K-9-N-LE

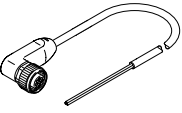
Connecting cables NEBA, straight						
	Electrical connection 1, connector system	Electrical connection 2, connector system	Electrical connection 2, number of connections/cores	Cable length	Part no.	Type
	M8x1, A-coded, to EN 61076-2-104	Open end	3	2.5 m	★ 8078223	NEBA-M8G3-U-2.5-N-LE3
				5 m	★ 8078224	NEBA-M8G3-U-5-N-LE3


Connecting cables NEBA, angled						
	Electrical connection 1, connector system	Electrical connection 2, connector system	Electrical connection 2, number of connections/cores	Cable length	Part no.	Type
	M8x1, A-coded, to EN 61076-2-104	Open end	3	2.5 m	★ 8078230	NEBA-M8W3-U-2.5-N-LE3
				5 m	★ 8078231	NEBA-M8W3-U-5-N-LE3


Accessories

Proximity switch SDBF-FDS-1L-...							Link sdbf
	Description	Type of mounting	Switching output	Electrical connection 1, connector system	Electrical connection 1, number of connections/cores	Part no.	Type
	For Ø 5", 6"	Clamped	NPN	M12x1, A-coded to EN 61076-2-101	3	8161170	SDBF-FDS-1L-NU-K-N-M12
				Open end		8161168	SDBF-FDS-1L-NU-K-9-N-LE
			PNP	M12x1, A-coded to EN 61076-2-101		8161169	SDBF-FDS-1L-PU-K-N-M12
				Open end		8161167	SDBF-FDS-1L-PU-K-9-N-LE

Connecting cables NEBA, straight						
	Electrical connection 1, connector system	Electrical connection 2, connector system	Electrical connection 2, number of connections/cores	Cable length	Part no.	Type
	M12x1, A-coded to EN 61076-2-101	Open end	3	2.5 m	★ 8078236	NEBA-M12G5-U-2.5-N-LE3
				5 m	★ 8078237	NEBA-M12G5-U-5-N-LE3


Connecting cables NEBA, angled						
	Electrical connection 1, connector system	Electrical connection 2, connector system	Electrical connection 2, number of connections/cores	Cable length	Part no.	Type
	M12x1, A-coded to EN 61076-2-101	Open end	3	2.5 m	8078245	NEBA-M12W5-U-2.5-N-LE3
				5 m	8078246	NEBA-M12W5-U-5-N-LE3

One-way flow control valve GRLA-...					
	Description	Pneumatic connection, port 2		Part no.	Type
	For Ø 1 1/2" ... 6"	1/8 NPT		534659	GRLA-1/8-QB-5/16-U
				534656	GRLA-1/8-QB-5/32-U
				534658	GRLA-1/8-QB-1/4-U
		1/4 NPT		534662	GRLA-1/4-QB-5/16-U
				534661	GRLA-1/4-QB-1/4-U
				534663	GRLA-1/4-QB-3/8-U
		3/8 NPT		534666	GRLA-3/8-QB-3/8-U
				534664	GRLA-3/8-QB-1/4-U
				534665	GRLA-3/8-QB-5/16-U
	For Ø 3 1/4" ... 6"	1/2 NPT		534667	GRLA-3/8-QB-1/2-U
				564846	GRLA-1/2-QB-3/8-U
			564847	GRLA-1/2-QB-1/2-U	


One-way flow control valve QB-...				
	Description	Pneumatic connection, port 1	Part no.	Type
	For Ø 1 1/2" ... 6"	Male thread 1/8 NPT	533274	QB-1/8-5/16-U

Accessories


One-way flow control valve QB-...

	Description	Pneumatic connection, port 1	Part no.	Type
	For Ø 1 1/2" ... 6"	Male thread 1/8 NPT	533273	QB-1/8-1/4-U
			567773	QB-1/8-3/8-U
			533272	QB-1/8-3/16-U
			533271	QB-1/8-5/32-U
		Male thread 1/4 NPT	533276	QB-1/4-1/4-U
			533278	QB-1/4-3/8-U
			567771	QB-1/4-1/2-U
			533277	QB-1/4-5/16-U
		Male thread 3/8 NPT	533275	QB-1/4-3/16-U
			567772	QB-1/4-5/32-U
			533280	QB-3/8-5/16-U
			533282	QB-3/8-1/2-U
	For Ø 3 1/4" ... 6"	Male thread 1/2 NPT	533279	QB-3/8-1/4-U
			533281	QB-3/8-3/8-U
			533284	QB-1/2-1/2-U
533283			QB-1/2-3/8-U	
			567770	QB-1/2-5/16-U


One-way flow control valve QBL-...

	Description	Pneumatic connection, port 1	Part no.	Type	
	For Ø 1 1/2" ... 6"	Male thread 1/8 NPT	533291	QBL-1/8-3/16-U	
			533293	QBL-1/8-5/16-U	
			533292	QBL-1/8-1/4-U	
			533290	QBL-1/8-5/32-U	
		Male thread 1/4 NPT	567777	QBL-1/8-3/8-U	
			533295	QBL-1/4-1/4-U	
			533294	QBL-1/4-3/16-U	
			567776	QBL-1/4-5/32-U	
		Male thread 3/8 NPT	533297	QBL-1/4-3/8-U	
			567775	QBL-1/4-1/2-U	
			533296	QBL-1/4-5/16-U	
			533299	QBL-3/8-5/16-U	
	For Ø 3 1/4" ... 6"	Male thread 1/2 NPT	533301	QBL-3/8-1/2-U	
			567763	QBL-3/8-3/16-U	
			533300	QBL-3/8-3/8-U	
			533298	QBL-3/8-1/4-U	
				533302	QBL-1/2-3/8-U
				533303	QBL-1/2-1/2-U


Seal set DADG-SK-C8-... for DSNB-...-N/-P


	Description	Note on materials	Part no.	Type
	For Ø 1 1/2"	RoHS-compliant	8161123	DADG-SK-C8-1 1/2"
	For Ø 2"		8161124	DADG-SK-C8-2"
	For Ø 2 1/2"		8161125	DADG-SK-C8-2 1/2"
	For Ø 3 1/4"		8161126	DADG-SK-C8-3 1/4"
	For Ø 4"		8161127	DADG-SK-C8-4"
	For Ø 5"		8161128	DADG-SK-C8-5"
	For Ø 6"		8161129	DADG-SK-C8-6"

Seal set DADG-SK-C8-... for DSNB-...-PPV/-PPV1/-PPV2

	Description	Note on materials	Part no.	Type
	For Ø 1 1/2"	RoHS-compliant	8161130	DADG-SK-C8-1 1/2"-PP
	For Ø 2"		8161131	DADG-SK-C8-2"-PP
	For Ø 2 1/2"		8161132	DADG-SK-C8-2 1/2"-PP
	For Ø 3 1/4"		8161133	DADG-SK-C8-3 1/4"-PP
	For Ø 4"		8161134	DADG-SK-C8-4"-PP

Accessories

Seal set DADG-SK-C8-... for DSNB-...-PPV/-PPV1/-PPV2				
	Description	Note on materials	Part no.	Type
	For Ø 5"	RoHS-compliant	8161135	DADG-SK-C8-5"-PP
	For Ø 6"		8161136	DADG-SK-C8-6"-PP

Seal set DADG-SK-C8-... for DSNB-...-PPV/-PPV1/-PPV2 and increased transverse load [R]				
	Description	Note on materials	Part no.	Type
	For Ø 1 1/2"	RoHS-compliant	8161137	DADG-SK-C8-1 1/2"-PPR
	For Ø 2"		8161138	DADG-SK-C8-2"-PPR
	For Ø 2 1/2"		8161139	DADG-SK-C8-2 1/2"-PPR
	For Ø 3 1/4"		8161140	DADG-SK-C8-3 1/4"-PPR
	For Ø 4"		8161141	DADG-SK-C8-4"-PPR
	For Ø 5"		8161142	DADG-SK-C8-5"-PPR
	For Ø 6"		8161143	DADG-SK-C8-6"-PPR